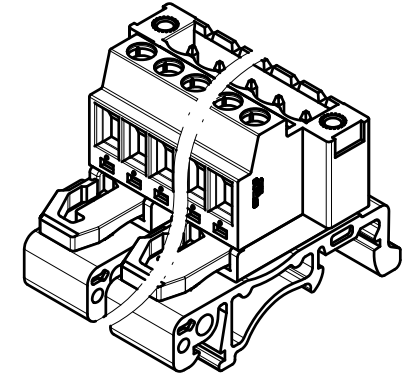
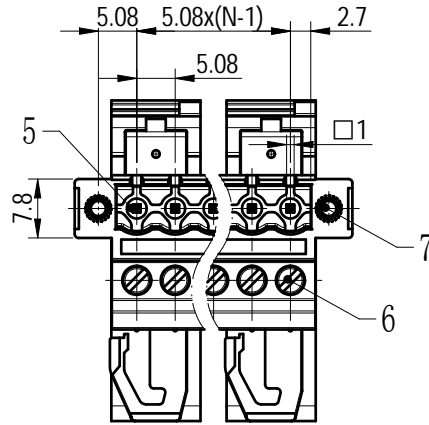


未注公差/General tolerances (mm)													0.1/10
0	>3	>6	>10	>18	>30	>50	>80	>120	>180	>250	>315	>400	
~3	~6	~10	~18	~30	~50	~80	~120	~180	~250	~315	~400	~500	>500
±0.12	±0.18	±0.22	±0.26	±0.31	±0.37	±0.57	±0.80	±0.93	±1.05	±1.15	±1.60	±2.20	±2.50

Transfer or duplication of this document as well as the utilization or communication of its contents are prohibited unless authorized in writing. All rights reserved for patent, utility model or design registrations. 除专利等权利明确标注外，其他标注均属于本公司保留。未经许可，不得复制或传播。 除专利等权利明确标注外，其他标注均属于本公司保留。 未经许可，不得复制或传播。



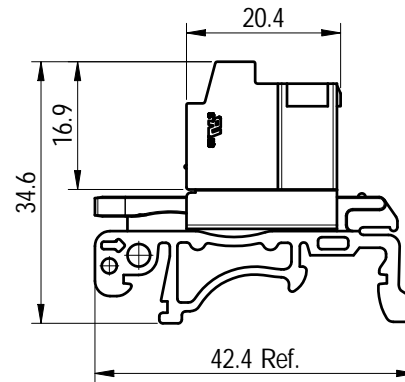
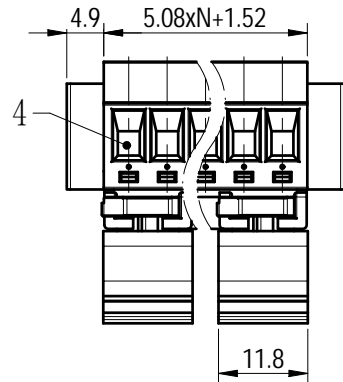
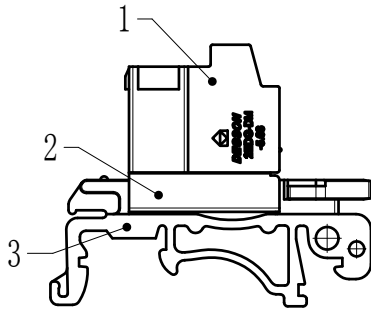
Note:  
The A&Z(H) in the name means: A(H) and Z(H).

ITEM	NAME OF PART	MATERIAL	NOTES
7	Cap	Copper alloy	M2.5
6	Screw	Steel	M3/Zn Plated
5	Pin	Copper	Sn Plated
4	Cage	Copper alloy	M3/Ni Plated
3	2EDG-DIN35	PA66	UL94V-0
2	Cover	PA66	UL94V-0
1	Housing	PA66	UL94V-0

UL 标准/UL Standard:	B	C	D
额定电压/电流/Rated Voltage(V)/Current(A)	300/15	/	300/10

IEC 标准/IEC Standard:	III/3	III/2	II/2
过压类别/Overvoltage Category/污染等级/Pollution Degree	III/3	III/2	II/2
额定电压/电流/Rated Voltage(V)/Current(A)	250/12	320/12	630/12
额定脉冲电压(KV)/Rate Impulse Voltage(KV)	4	4	4

螺丝扭矩/Torque Tightening(N·m/Lb.in)	M3, 0.6/5.16
线径范围(硬线和软线)/Wire Range(rigid and flexible)(AWG/mm²)	M2.5, 0.4/3.54
间距/Pitch(mm)/线数范围/Poles	5.08/N=02~24P
剥线长度/Stripping length(mm)	7~8
使用温度范围/Operating temperature(°C)	-40~+105
符合RoHS环保要求/Conform to RoHS	Yes



MATERIAL:	SURFACE/COLOR:
MAT NO./REV: - / 00	MAT STATUS: 批量

APPD: 兰春华 2022.12.01	NAME: 2EDG-UDBM-5.08-XXP-1Y-00A&Z(H)
CHKD: 龚耀志 2022.12.01	

00	REV	ECN	DESCRIPTION	DRFT	DATE	200020103	CUSTOMER DRAWING	已发布	SCALE 1:1	SHEET 1/1
----	-----	-----	-------------	------	------	-----------	------------------	-----	-----------	-----------