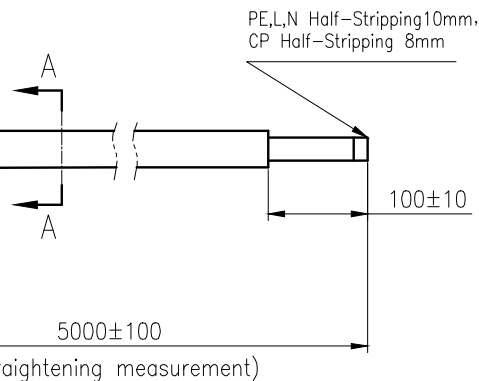
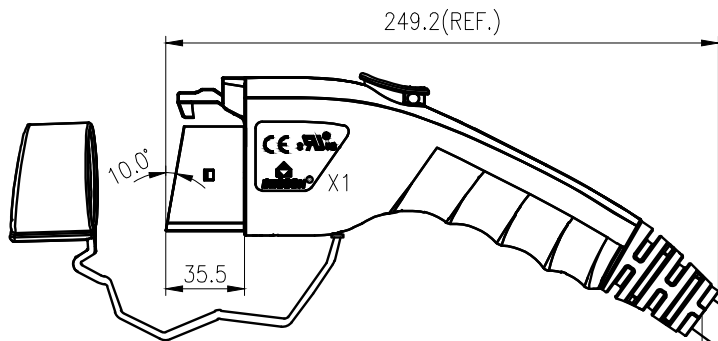
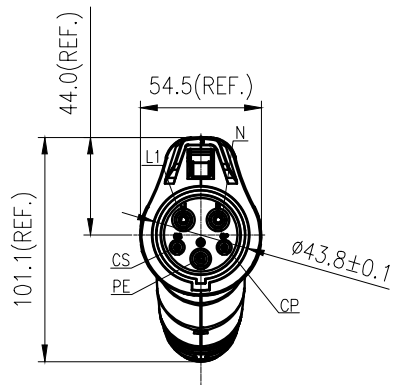
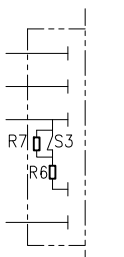


公差/General tolerances(mm)										0.1/10 ±2'			
0	>3	>6	>10	>18	>30	>50	>80	>120	>180		>250	>315	>400
~	~	~	~	~	~	~	~	~	~	~	~	~	~
±0.12	±0.18	±0.22	±0.26	±0.31	±0.37	±0.57	±0.80	±0.93	±1.05	±1.15	±1.60	±2.20	±2.50



Wiring diagram

- L1 8AWG Brown
- N 8AWG Blue
- PE 8AWG Yellow/Green
- CS 18AWG Red

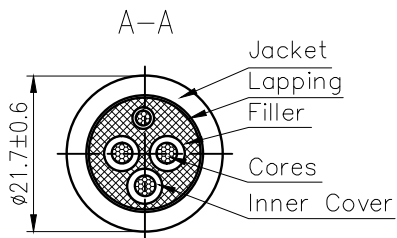


R6 = 150Ω ± 3%
R7 = 330Ω ± 3%

X1

Laser Printing Front Note:

Laser Printing Back Note(Arial):
 MAAC-S-050A-V-03-5.0M-172AH
 50A 240V AC
 SAE J1772:2017
 Type 3R
 20xxxxxx-xxxx



额定电压/Rated Voltage	240V AC/50A
绝缘电阻/Insulate Resistance	>5MΩ,500V DC 1min
耐压/Withstanding Voltage	L, N and PE ,2500V AC 1min L and N ,2500V AC 1min
防护等级/Ingress Protection	Type 3R
插拔寿命/Insertion/Pullout Times	10,000 Times
插拔力/Insertion/Pullout Force	<75N
使用温度范围/Operating temperature(°C)	-30~+50
线材规格/Cable specification	3*8AWG+1*18AWG Black
标准/Reference standard	SAE J1772:2017
符合RoHS环保要求/Conform to RoHS	Yes

MATERIAL: /	SURFACE: /	
MAT NO.:	 宁波高松电子有限公司 NINGBO DEGSON ELECTRICAL CO., LTD	
STATUS: /		
APPD:		
CHKD:		
DRFT: Zhang Q 2022.07.19	DRAWING NO.:	REV: D0-1
SIZE: A4	TYPE: CUSTOMER DRAWING	SCALE: 1:3 SHEET 1/1

REV	ECN	DESCRIPTION	DRFT	DATE

Transfer or duplication of this document as well as the utilization or communication of its contents are prohibited unless explicit authorization is granted. Violations will be liable for compensation. All rights reserved for patent, utility model or designs registrations. 未经授权复制或传播本文件内容，或在本文件中使用、复制或传播本文件内容，均属于侵权行为，公司将依法追究。 未经授权复制或传播本文件内容，或在本文件中使用、复制或传播本文件内容，均属于侵权行为，公司将依法追究。