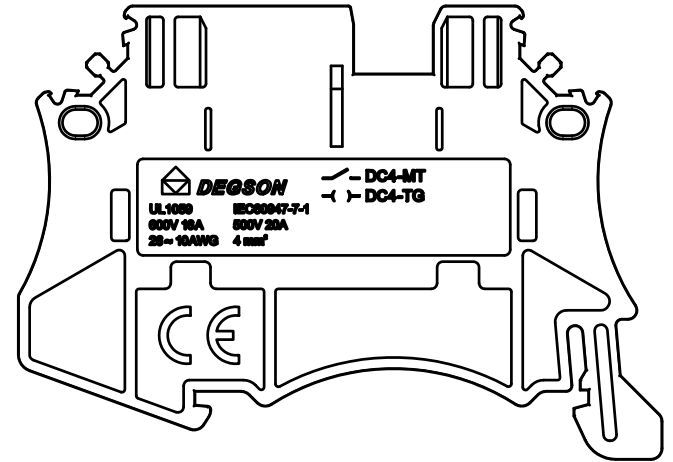
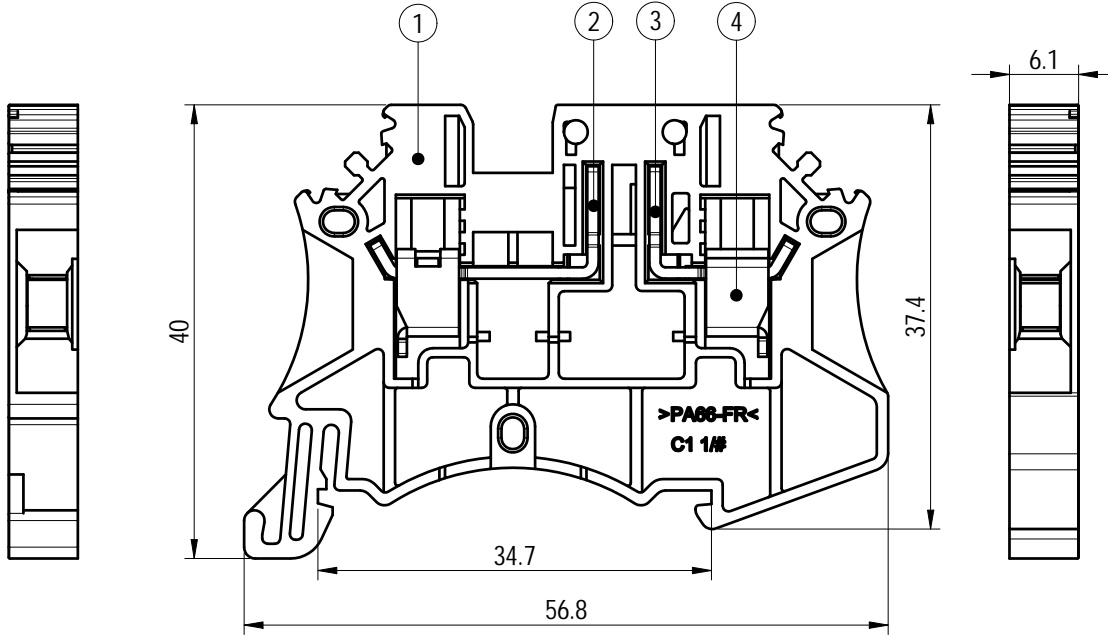
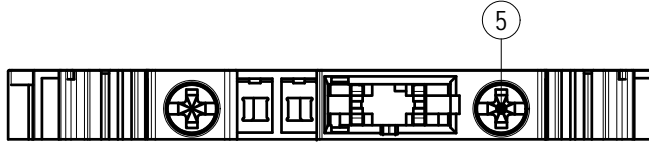


Transfer or duplication of this document as well as the utilization or communication of its content are prohibited unless authorized in writing. All rights reserved for patent, utility model or design registrations. 除专利等明确标注外，其他标注均受法律保护。未经许可，不得复制或传播。本公司保留对涉及发明、实用新型和外观设计的所有权利。

未注公差/General tolerances (mm)											0.1/10			
0	>3	>6	>10	>18	>30	>50	>80	>120	>180	>250		>315	>400	>500
±0.12	±0.18	±0.22	±0.26	±0.31	±0.37	±0.57	±0.80	±0.93	±1.05	±1.15	±1.60	±2.20	±2.50	±2'
UL 标准/UL Standard:											B	C	D	
额定电压/电流/Rated Voltage(V)/Current(A)											600/16	600/16	/	
IEC 标准/IEC Standard:														
过压类别/Overvoltage Category/污染等级/Pollution Degree											III/3	III/2	II/2	
额定电压/电流/Rated Voltage(V)/Current(A)											500/20	/	/	
额定脉冲电压(KV)/Rate Impulse Voltage(KV)											6	/	/	
螺丝扭矩/Torque Tightening(N·m/Lb.in)											M3, 0.65/6			
线径范围(硬线和软线)/Wire Range(rigid and flexible)(AWG/mm <sup>2</sup> )											26~10 / 0.5~4&6(Sol)			
间距/Pitch(mm)/线数范围/Poles											6.1/01P			
剥线长度/Stripping length(mm)											8~9			
使用温度范围/Operating temperature(°C)											-40~+105			
符合 RoHS 环保要求/Conform to RoHS											Yes			
标准颜色编号/Standard color number: PANTONE / RAL											/			



ITEM	NAME OF PART	MATERIAL	NOTES
5	Screw	Steel	M3/Zn Plated
4	Cage	Steel	M3/Zn Plated
3	Current carrier 2	Copper alloy	Sn Plated
2	Current carrier 1	Copper alloy	Sn Plated
1	Housing	PA66	UL94 V-0

<b>DEGSON</b>		MATERIAL: /		SURFACE/COLOR: /	
APPD: Peng M 2022.08.20		MAT NO./REV: / /		MAT STATUS: /	
CHKD: Gao WG 2022.08.20		NAME			
DRFT: Huang RJ 2022.08.20		DC4-TG-01P-1Y-00A (H)			
00	/	/	Huang RJ	2022.08.20	DRFT: Huang RJ 2022.08.20
REV	ECN	DESCRIPTION	DRFT	DATE	DRAWING NO. / TYPE CUSTOMER DRAWING
					DRAWING STATUS / SCALE 2:1 SHEET 1/1

00	/	/	Huang RJ	2022.08.20	DRFT: Huang RJ 2022.08.20
REV	ECN	DESCRIPTION	DRFT	DATE	DRAWING NO. / TYPE CUSTOMER DRAWING