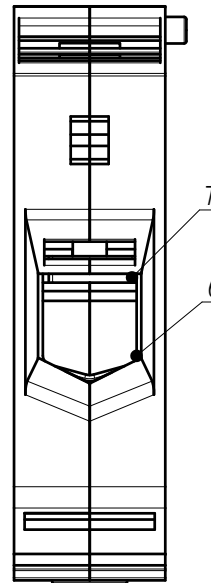
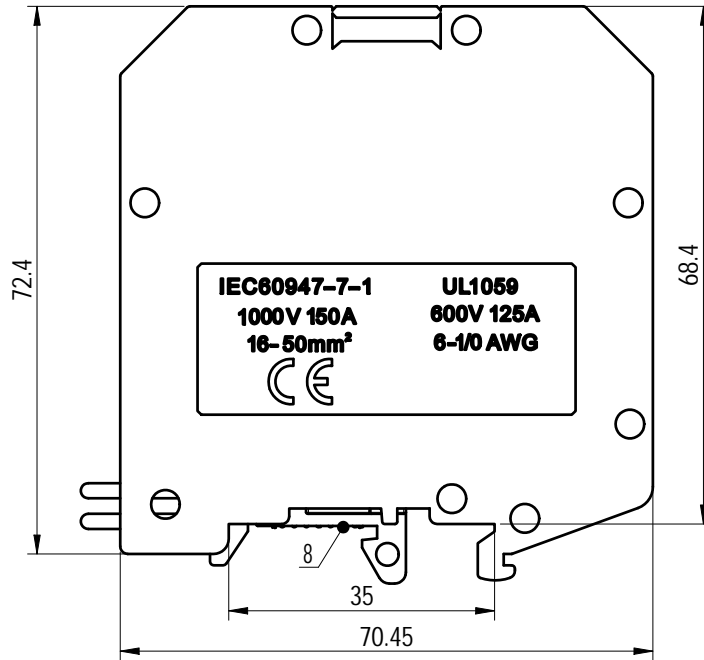
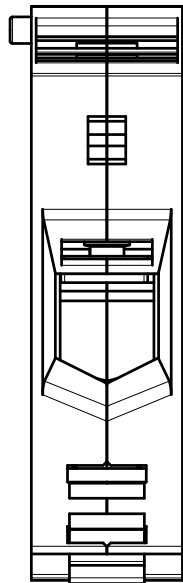
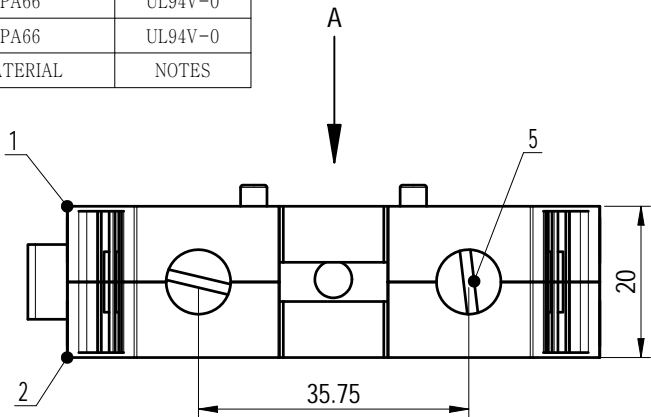
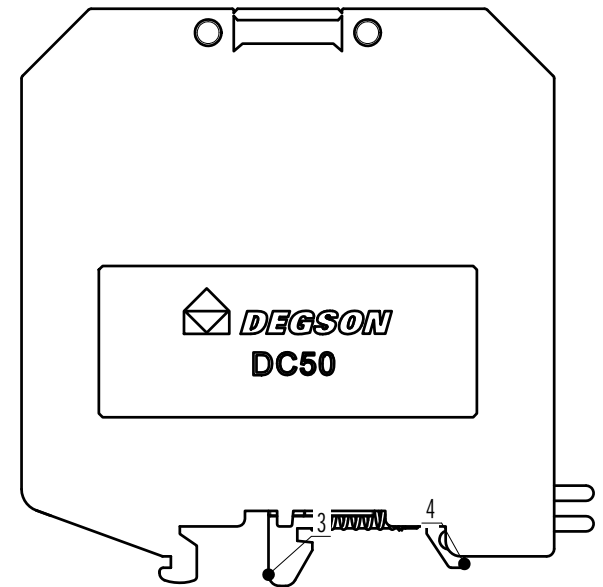


8	Spring	Spring steel	/
7	Current Carrier	Copper	Sn Plated
6	Cage	Steel	Zn Plated
5	M5(-)-screw	Steel	Zn Plated
4	Slip Component two	PA66	UL94V-0
3	Slip Component one	PA66	UL94V-0
2	Housing two	PA66	UL94V-0
1	Housing one	PA66	UL94V-0
ITEM	NAME OF PART	MATERIAL	NOTES

公差/General tolerances (mm)													0.1/10
0	>3	>6	>10	>18	>30	>50	>80	>120	>180	>250	>315	>400	
~	~	~	~	~	~	~	~	~	~	~	~	~	~
±0.12	±0.18	±0.22	±0.26	±0.31	±0.37	±0.57	±0.80	±0.93	±1.05	±1.15	±1.60	±2.20	±2.50



视图 A



UL 标准/UL Standard:	B	C	D
额定电压/电流/Rated Voltage(V)/Current(A)	600/125	600/125	600/5
IEC 标准/IEC Standard:			
过压类别/Overvoltage Category/污染等级/Pollution Degree	III/3	III/2	II/2
额定电压/电流/Rated Voltage(V)/Current(A)	1000/150	/	/
额定脉冲电压(KV)/Rate Impulse Voltage(KV)	8	/	/
螺丝扭矩/Torque Tightening(N·m/Lb.in)	M6.6.0/52.17		
线径范围(硬线和软线)/Wire Range(rigid and flexible)(AWG/mm²)	6~1/0/16~50		
间距/Pitch(mm)	20		
剥线长度/Stripping length(mm)	22~23		
使用温度范围/Operating temperature(°C)	-40~+105		
符合RoHS环保要求/Conform to RoHS	Yes		
标准颜色编号/Standard color number: PANTONE / RAL	/		

		MATERIAL: /	SURFACE/COLOR: /	
APPD: Peng M 2022.08.21		MAT NO./REV: / / /		MAT STATUS: /
CHKD: Gao WG 2022.08.21		NAME		
DRFT: Huang RJ 2022.08.21		DC50-01P-1Y-00A (H)		
DRAWING NO.	TYPE	DRAWING STATUS	SCALE	SHEET
/	CUSTOMER DRAWING	/	1:1	1/1

00	/	/	Huang RJ	2022.08.21
REV	ECN	DESCRIPTION	DRFT	DATE

Transfer or duplication of this document as well as the utilization or communication of its contents are prohibited unless explicitly authorized in writing by Degson. All rights reserved for patent. 除专利等明确标注外，其他内容均受法律保护。未经授权，禁止复制或传播。 0.1/10