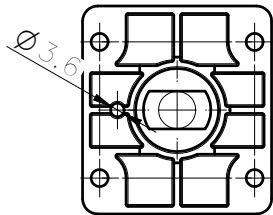
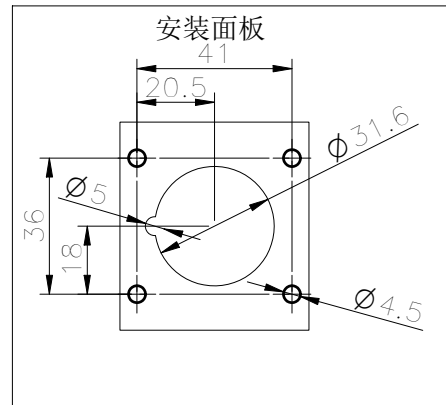
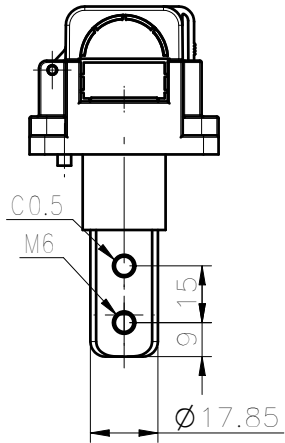
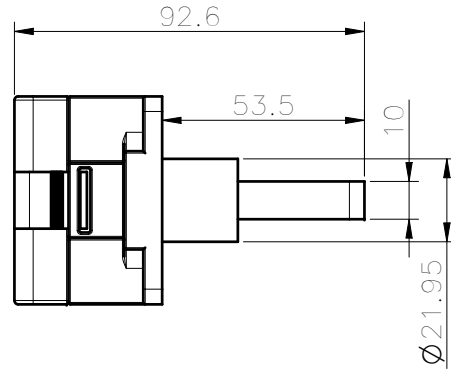
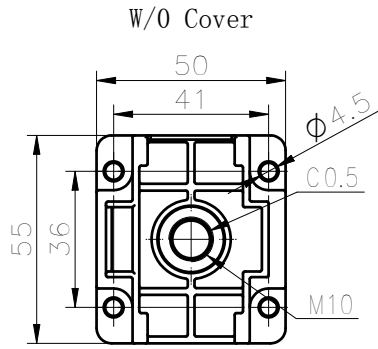
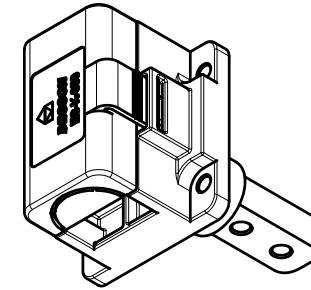


Transfer or duplication of this document as well as the utilization or communication of its contents are prohibited unless authorized. All rights reserved for patent, utility model or design registrations. 非经书面明确授权, 否则禁止转让、复制、利用、交还本文件的内容。一经发现侵权, 侵权者将承担法律责任。本公司保留对涉及发明、实用新型和外观设计的所有权利。



未注公差/General tolerances(mm)												D 0.1/10	
0	>3	>6	>10	>18	>30	>50	>80	>120	>180	>250	>315		>400
±0.12	±0.18	±0.22	±0.26	±0.31	±0.37	±0.57	±0.80	±0.93	±1.05	±1.15	±1.60	±2.20	±2.50
~3	~6	~10	~18	~30	~50	~80	~120	~180	~250	~315	~400	~500	>500
													Z ±2'



ITEM	NAME OF PART	MATERIAL	NOTES
2	Current carrier	Copper	Ni plated
	Housing	PC	UL94V-0
1	Cover	PC	UL94V-0

UL 标准/UL Standard:	
额定电压/电流/Rated Voltage(V)/Current(A)	1000V/350A
螺丝扭矩/Torque Tightening(N·m/Lb.in)	M10 20/177.2 M6 8/70.9
线径范围/导线和铜排/Wire Range (mm <sup>2</sup> /mm)	70-95 / 20*5
使用温度范围/Operating temperature(°C)	-40~+125
符合 RoHS 环保要求/Conform to RoHS	Yes

**DEGSON**

APPD: / /

CHKD: / /

DRFT: 谢晓栋 2022.05.13

④ A4

MATERIAL: /	SURFACE: /	
MAT NO./REV: /	/ /	MAT STATUS: /
NAME		
ES-K-350-1Y-10A(H)		
DRAWING NO.	TYPE	DRAWING STATUS
/	/	/
SCALE	SHEET	
1:2	1/1	

REV	ECN	DESCRIPTION	DRFT	DATE
/	/	/	/	/