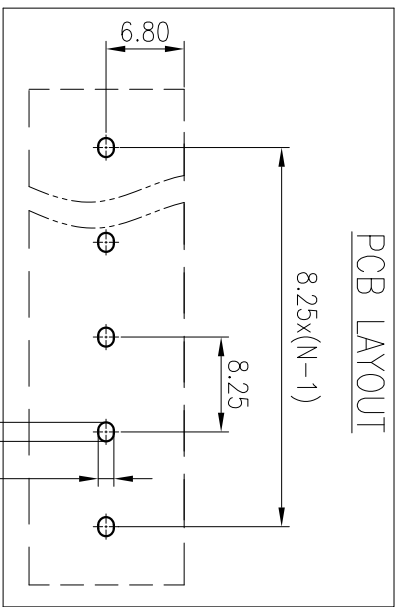
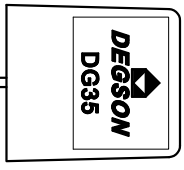
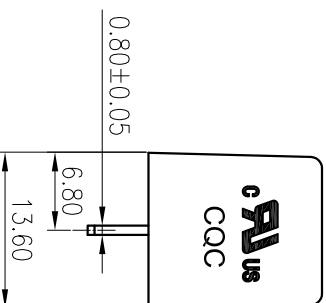
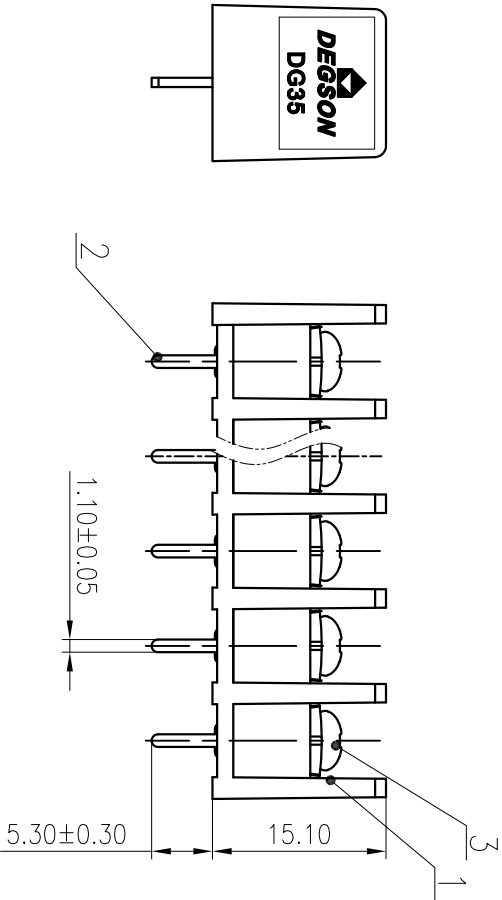
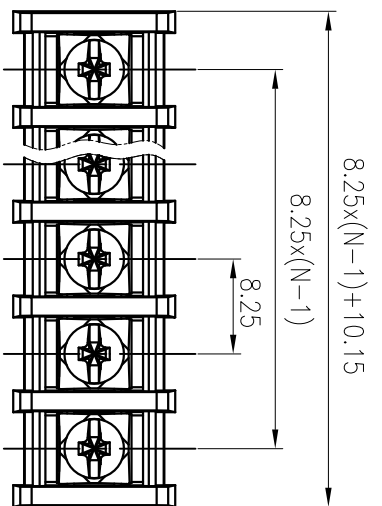


公差/General tolerances(mm)	0	>3	>6	>10	>18	>30	>50	>80	>120	>180	>250	>315	>400	>500	0.1/10
±Z	±0.12	±0.18	±0.22	±0.26	±0.31	±0.37	±0.57	±0.80	±0.93	±1.05	±1.15	±1.60	±2.20	±2.50	±Z



3	Screw	Steel	M3/Ni Plated
2	Pin header	Copper alloy	M3/Sn Plated
1	Housing	PA66	UL94V-0
ITEM	NAME OF PART	MATERIAL	NOTES
UL 标准/UL Standard:		B	C
额定电压/Rated Voltage(V)	Current(A)	300/20	300/10
IEC 标准/IEC Standard:			
过压类别/Overvoltage Category/污染等级/ Pollution Degree		III/3	III/2
额定电压/电涌/Rated Voltage(V)/Current(A)		400/32	1000/32
螺丝扭矩/Torque Tightening(N·m/Lb·in)		M3	0.5/4.43
线径范围(硬线和软线)/Wire Range(rigid and flexible)(mm²/AWG)		4.0/22~12	
间距/Pitch(mm)/线数范围/Poles		8.25/N=02~26P	
剥线长度/Stripping length(mm)		8	
使用温度范围/Operating temperature(°C)		-40~+105	
符合RoHS环保要求/Conform to RoHS		Yes	

MATERIAL:		SURFACE:	/
MAT NO.:	/		
STATUS:	/		
APPD:		NAME:	宁波高松电子有限公司 NINGBO DEGSON ELECTRICAL CO., LTD
CHKD:		DRAWING NO.:	DG35C-C07
DRFT: CenMZ 2020.05.21		REV	T0
SIZE: A4		TYPE: CUSTOMER DRAWING	SCALE: 1.5:1 SHEET 1/1

REV	ECN	DESCRIPTION	DRFT	DATE