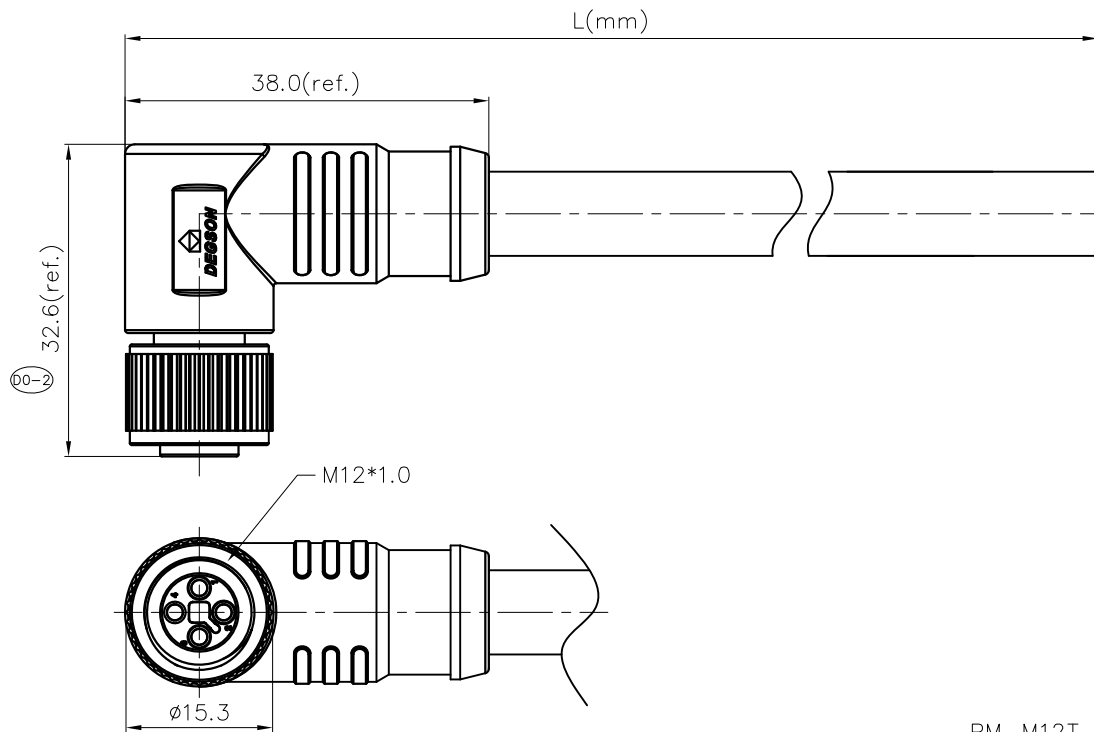


REVISION RECORD

REV	ECN	DESCRIPTION	DRFT	DATE



NOTES:

- Rated voltage/current : 3pin T: 63V / 12A
4pin T: 63V / 12A
- Withstanding voltage : 3pin: AC1126V/1Min
4pin: AC1126V/1Min
- Levels of protection: IP68
- Cable specifications :
3pin T: 3C*16AWG/1.5mm², UL2464/UL20549
4pin T: 4C*16AWG/1.5mm², UL2464/UL20549
- Wire connection mode: soldering
- Operating temperature: -25°C~+80°C
- RoHS Compliance
- Tolerance : ±0.5mm

PM-M12T-XXP-FF-SR8XXX-00A(H)

Pin number: 03,04

Cable jacket:
A: PVC UL2464;
B: PUR UL20549

Cable length L:
01: 1M
...
99: 99M
The line grows business trip:
01~05m: ± 50mm
06~10m: ± 100mm
11~30m: ± 200mm
31~99m: ± 500mm

3pin T Coding		4pin T Coding	
Pin Assignments Front View		Pin Assignments Front View	
4	Black	4	Black
3	Blue	3	Blue
1	Brown	2	White
1	Brown	1	Brown
Pin	Wire Color	Pin	Wire Color
Pin Out		Pin Out	

DETACHED LISTS	PART NO.: PMM12TXXPFFSR8XXX00AH		宁波高松电子有限公司 NINGBO DEGSON ELECTRICAL CO., LTD	
	APPD:	NAME: PM-M12T-XXP-FF-SR8XXX-00A(H)		
	CHKD:			
	DRFT: SQ 2019.05.17	TITLE: CUSTOMER DRAWING	REV: D0-2	
			DRAWING NO.: XXXXXXXX-XX-CXX	SHEET: 1/1
		MM (INCH)	DO NOT SCALE DRAWING	SCALE: 1:1