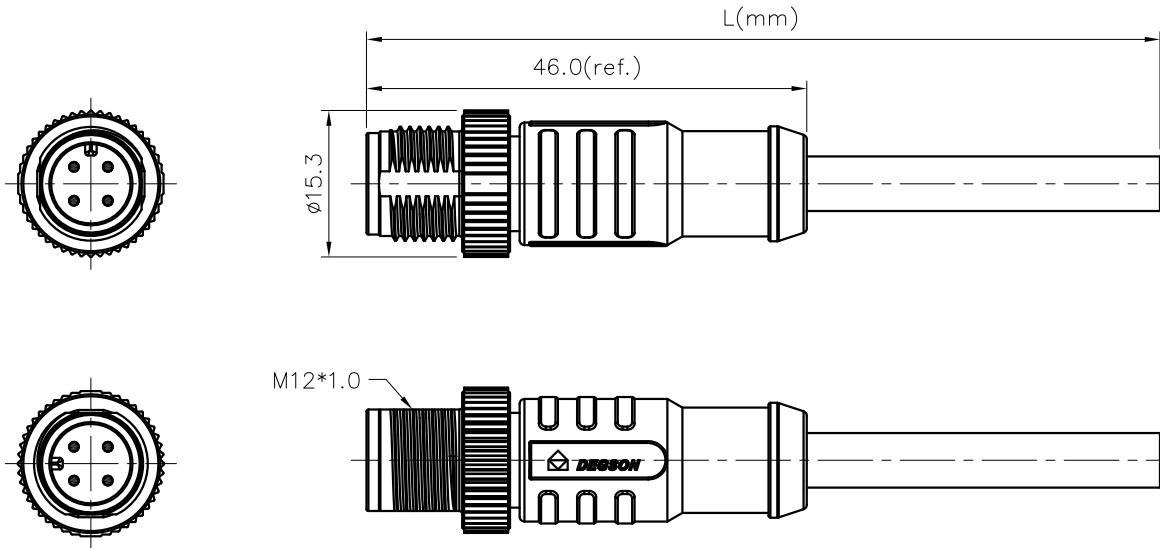


REVISION RECORD

REV	ECN	DESCRIPTION	DRFT	DATE
-----	-----	-------------	------	------




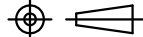

PMSH-M12X-XXP-MM-SL8XXX-00A(H)

Coding: A,B,D

Pin number: 03,04,
05,06,08,
10,12,17

Cable jacket:
A: PVC UL2517;
B: PUR UL20549
C: PVC UL2517 For UL Approve
D: PUR UL20549 For UL Approve
E: CAT 5E For D-code

Cable length L:
01: 1M
...
99: 99M
The line grows business trip:
01~05m: ± 50mm
06~10m: ± 100mm
11~30m: ± 200mm
31~99m: ± 500mm

DETACHED LISTS	PART NO.: PMSHM12XXXPMMSL8XXX00AH		 宁波高松电子有限公司 NINGBO DEGSON ELECTRICAL CO., LTD	
	APPD:		NAME: PMSH-M12X-XXP-MM-SL8XXX-00A(H)	
	CHKD:		TITLE: CUSTOMER DRAWING	
	DRFT: LRS 2020.09.10		REV: D0-3	SHEET: 1/2
 THIRD ANGLE PROJECTION		DRAWING NO.: XXXXXXXX-XX-CXX	SHEET: 1/2	
		 DO NOT SCALE DRAWING	SCALE: 1:1	

	3pin A Coding	4pin A Coding	5pin A Coding	6pin A Coding	8pin A Coding					
H										
G	Pin Assignments Front View	Pin Assignments Front View	Pin Assignments Front View	Pin Assignments Front View	Pin Assignments Front View					
F	Shield 4 3 1 Pin	Braid Black Blue Brown Wire Color	Shield 4 3 2 1 Pin	Braid Black Blue White Brown Wire Color	Shield 4 3 2 1 Pin	Braid Black Blue White Brown Wire Color	Shield 4 3 2 1 Pin	Braid Black Blue White Brown Wire Color	Shield 4 3 2 1 Pin	Braid Black Blue White Brown Wire Color
E	10pin A Coding	12pin A Coding	17pin A Coding	5pin B Coding	4pin D Coding					
D										
C	Pin Assignments Front View	Pin Assignments Front View	Pin Assignments Front View	Pin Assignments Front View	Pin Assignments Front View					
B	Shield 10 9 8 7 6 5 4 3 2 1 Pin	Braid Violet Red Grey Black Yellow Pink Green White Blue Brown Wire Color	Shield 17 16 15 14 13 12 11 Pin	Braid White/Grey Yellow/Brown White/Yellow Brown/Green White/Green Red/Blue Grey/Pink Violet Red Grey Black Yellow Pink Green White Blue Brown Wire Color	Shield 5 4 3 2 1 Pin	Braid Grey Black Blue Orange White Yellow Wire Color	Shield 5 4 3 2 1 Pin	Braid Grey Black Blue Orange White Yellow Wire Color	Shield 5 4 3 2 1 Pin	Braid Grey Black Blue Orange White Yellow Wire Color
A	Pin Out	Pin Out	Pin Out	Pin Out	Pin Out					

REVISION RECORD				
REV	ECN	DESCRIPTION	DRFT	DATE

- NOTES:
- Rated voltage/current : 3pin A: 250V / 4A
4pin A: 250V / 4A
5pin A: 60V / 4A
6pin A: 30V / 2A
8pin A: 30V / 2A
10pin A: 30V / 1.5A
12pin A: 30V / 1.5A
17pin A: 30V / 1.5A
5pin B: 60V / 4A
4pin D: 250V / 4A
 - Withstanding voltage : 3,4pin A: AC1500V/1Min
5pin A: AC1120V/1Min
6,8pin A: AC500V/1Min
10,12,17pin A: AC500V/1Min
5pin B: AC1120V/1Min
4pin D: AC1500V/1Min
 - Levels of protection: IP68
 - Cable specifications :
3pin A: 3C*22AWG/0.34mm²,Shield,UL2517/UL20549
4pin A: 4C*22AWG/0.34mm²,Shield,UL2517/UL20549
5pin A: 5C*22AWG/0.34mm²,Shield,UL2517/UL20549
6pin A: 6C*24AWG/0.25mm²,Shield,UL2517/UL20549
8pin A: 8C*24AWG/0.25mm²,Shield,UL2517/UL20549
10pin A: 10C*26AWG/0.14mm²,Shield,UL2517/UL20549
12pin A: 12C*26AWG/0.14mm²,Shield,UL2517/UL20549
17pin A: 17C*26AWG/0.14mm²,Shield,UL2517/UL20549
5pin B: 5C*22AWG/0.34mm²,Shield,UL2517/UL20549
4pin D: 4C*22AWG/0.34mm²,Shield,CAT 5E
 - Wire connection mode: soldering
 - Operating temperature: PVC Cable: -25°C~+85°C
PUR Cable: -25°C~+80°C
 - RoHS Compliance
 - Tolerance : ±0.5mm

DETACHED LISTS	PART NO.: PMSHM12XXXPMMSL8XXX00AH	宁波高松电子有限公司 NINGBO DEGSON ELECTRICAL CO., LTD		
	APPD:	NAME: PMSH-M12X-XXP-MM-SL8XXX-00A(H)		
	CHKD:			
	DRFT: LRS 2020.09.10	TITLE: CUSTOMER DRAWING	REV: D0-3	A
			DRAWING NO.: XXXXXXX-XX-CXX	SHEET: 2/2
		MM (INCH)	DO NOT SCALE DRAWING	
		SCALE: 1:1		