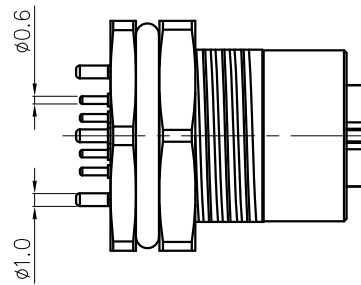
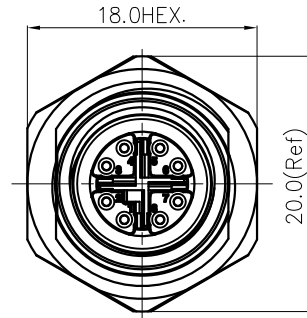
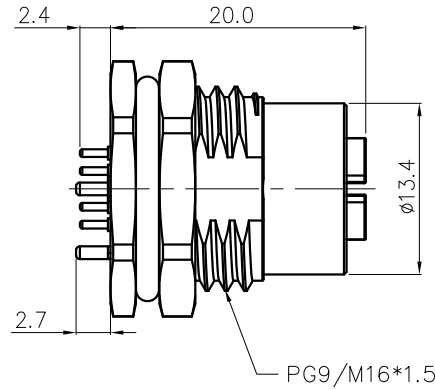
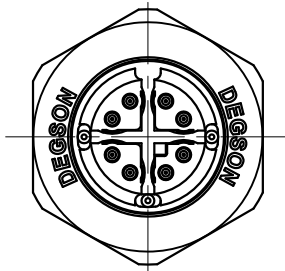


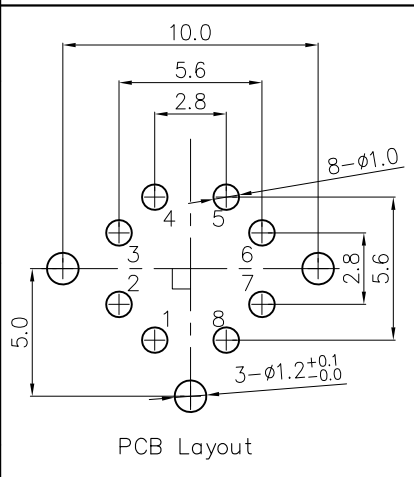
REVISION RECORD

REV	ECN	DESCRIPTION	DRFT	DATE
-----	-----	-------------	------	------



SPSH-M12X-08P-FF-SF700X-00A(H)

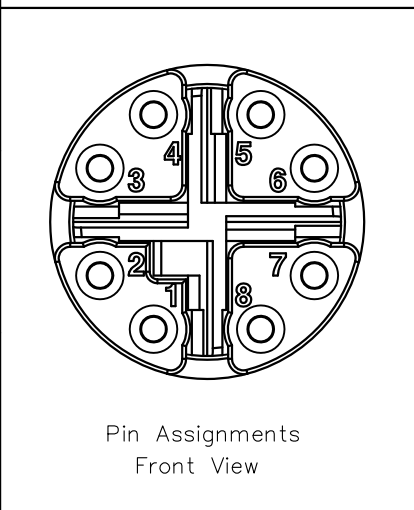
Thread specification:  
001: PG9  
002: M16\*1.5



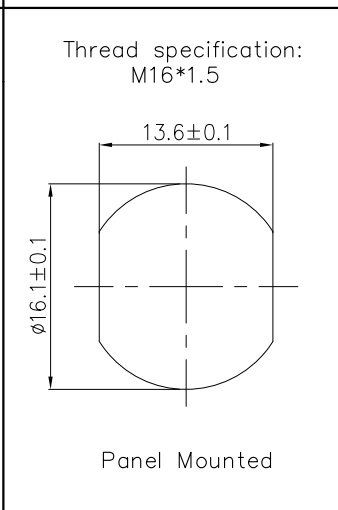
PCB Layout

NOTES:

1. Rated voltage/current : 50Vac/60Vdc; 0.5A
2. Withstanding voltage : AC1120V/1Min
3. Levels of protection: IP67
4. Wire connection mode: soldering
5. Operating temperature: -20°C~+105°C
6. For Panel Thickness Max: 4.5mm
7. RoHS Compliance
8. Tolerance : ±0.5mm

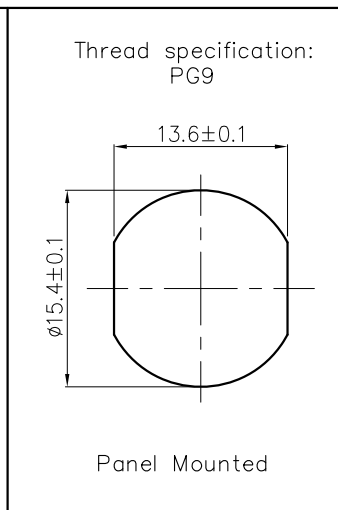


Pin Assignments  
Front View



Thread specification:  
M16\*1.5

Panel Mounted



Thread specification:  
PG9

Panel Mounted

DETACHED LISTS	PART NO.: SPSHM12X08PFFSF700X00AH		宁波高松电子有限公司 NINGBO DEGSON ELECTRICAL CO., LTD	
	APPD:	NAME: SPSH-M12X-08P-FF-SF700X-00A(H)		
	CHKD:	TITLE: CUSTOMER DRAWING		
	DRFT: SQ 2019.05.21	REV	D0-1	
THIRD ANGLE PROJECTION		DRAWING NO.: XXXXXXXX-XX-EXX	SHEET	1/1
		MM (INCH)	DO NOT SCALE DRAWING	SCALE 1:1