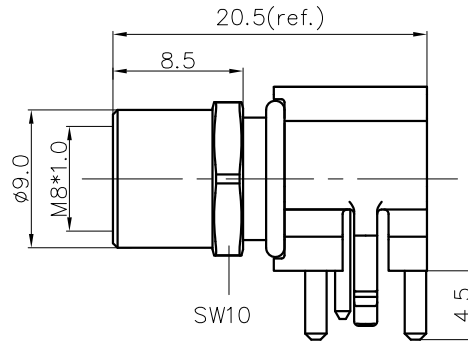
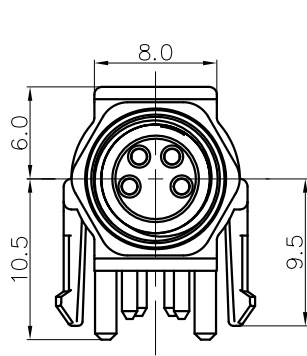


REVISION RECORD

REV	ECN	DESCRIPTION	DRFT	DATE
-----	-----	-------------	------	------



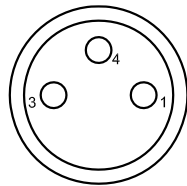
SR-M8A-XXP-FF-SF7005-00A(H)

PIN NO.: 03、04

NOTES:

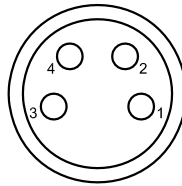
- Rated voltage/current : 3pin:60V / 3A  
4pin:60V / 3A
- Withstanding voltage : 850V
- Levels of protection:IP67
- Wire connection mode:soldering(PCB)
- Operating temperature:-20°C~+80°C
- For Panel Thinkness Max: 1.0~2.5mm
- RoHS Compliance
- Tolerance :
  - .X           ±0.25mm
  - .XX          ±0.1mm
  - ∠            ±1°

3pin A Coding



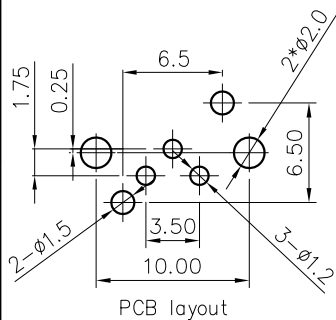
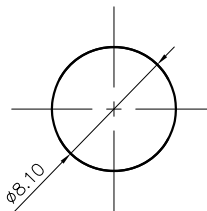
Pin Assignment Front View

4pin A Coding

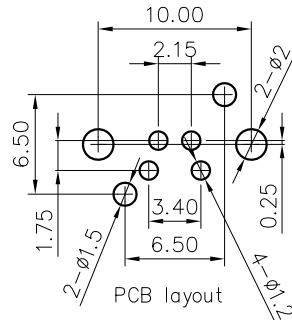


Pin Assignment Front View

Panel mounted



PCB layout



PCB layout

DETACHED LISTS	PART NO.: SRM8AXPFFSF700500AH		宁波高松电子有限公司 NINGBO DEGSON ELECTRICAL CO., LTD	
	APPD:	NAME: SR-M8A-XXP-FF-SF7005-00A(H)		
	CHKD:	TITLE: CUSTOMER DRAWING		
	DRFT:	DRAWING NO.: XXXXXXX-XX-CXX	REV	SHEET 1/1
THIRD ANGLE PROJECTION			DO NOT SCALE DRAWING	SCALE 1:1