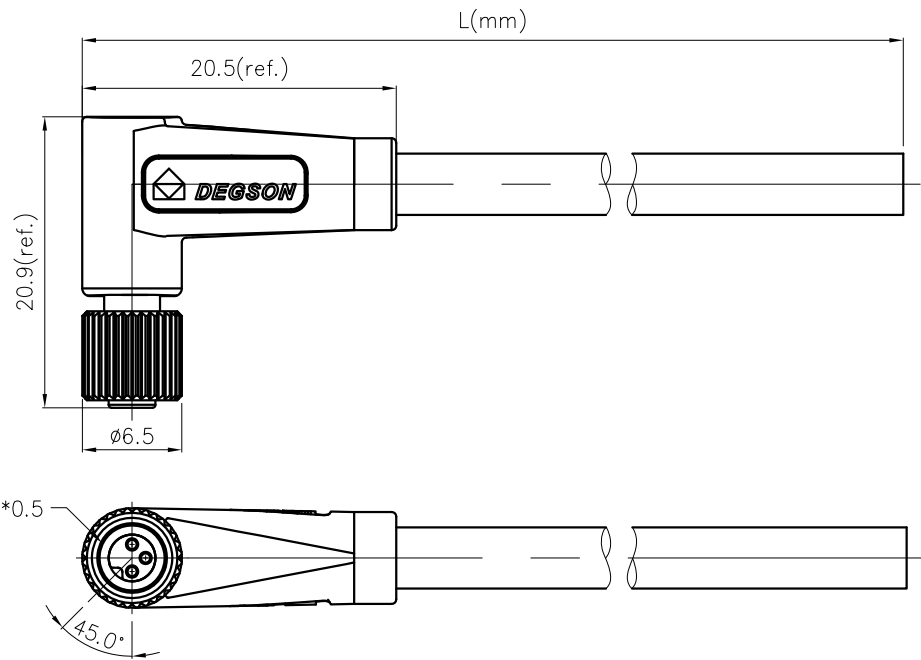


REVISION RECORD

REV	ECN	DESCRIPTION	DRFT	DATE
-----	-----	-------------	------	------



PM-M5A-XXP-FF-SR7XXX-00A(H)

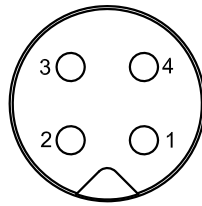
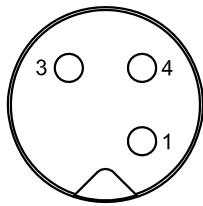
Pin number: 03,04

Cable jacket:  
 A: PVC UL2517  
 B: PUR UL20549

Cable length  
 01: 1M  
 ...  
 99: 99M

The line grows business trip:  
 01~05m: ± 50mm  
 06~10m: ± 100mm  
 11~30m: ± 200mm  
 31~99m: ± 500mm


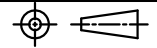
- NOTES:
1. Rated voltage/current : 60V / 1A
  2. Withstanding voltage : 800V
  3. Levels of protection: IP67
  4. Cable specifications :  
 3pin A: 3C\*26AWG/0.14mm<sup>2</sup>,UL2517/UL20549  
 4pin A: 4C\*26AWG/0.14mm<sup>2</sup>,UL2517/UL20549
  5. Wire connection mode: soldering
  6. Operating temperature: -25°C~+80°C
  7. RoHS Compliance
  8. Tolerance : ±0.5mm



Pin Assignment Front View

Pin Assignment Front View

Conn	Wire Color	Conn	Wire Color
4	Black	4	Black
3	Blue	3	Blue
2	White	2	White
1	Brown	1	Brown
Pin Out		Pin Out	

DETACHED LISTS	PART NO.: PMM5AXXPFFSR7XXX00AH		 宁波高松电子有限公司 NINGBO DEGSON ELECTRICAL CO., LTD		
	APPD:	NAME: PM-M5A-XXP-FF-SR7XXX-00A(H)			
	CHKD:	TITLE: CUSTOMER DRAWING			
	DRFT: SQ 2019.05.11	REV	D0-1		
	 THIRD ANGLE PROJECTION		DRAWING NO.: XXXXXXXX-XX-CXX	SHEET	1/1
		MM (INCH)	DO NOT SCALE DRAWING	SCALE	1:1