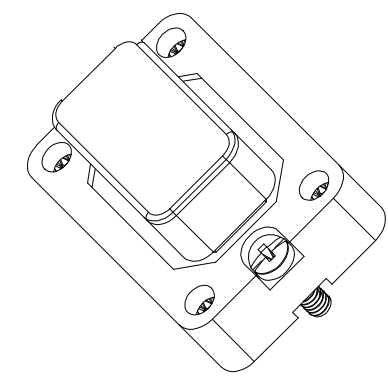
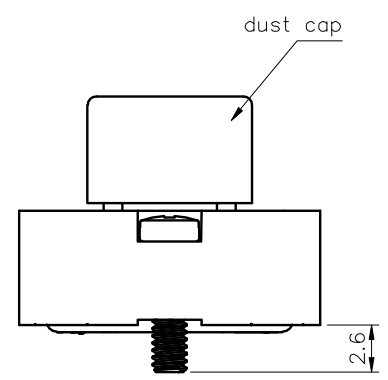
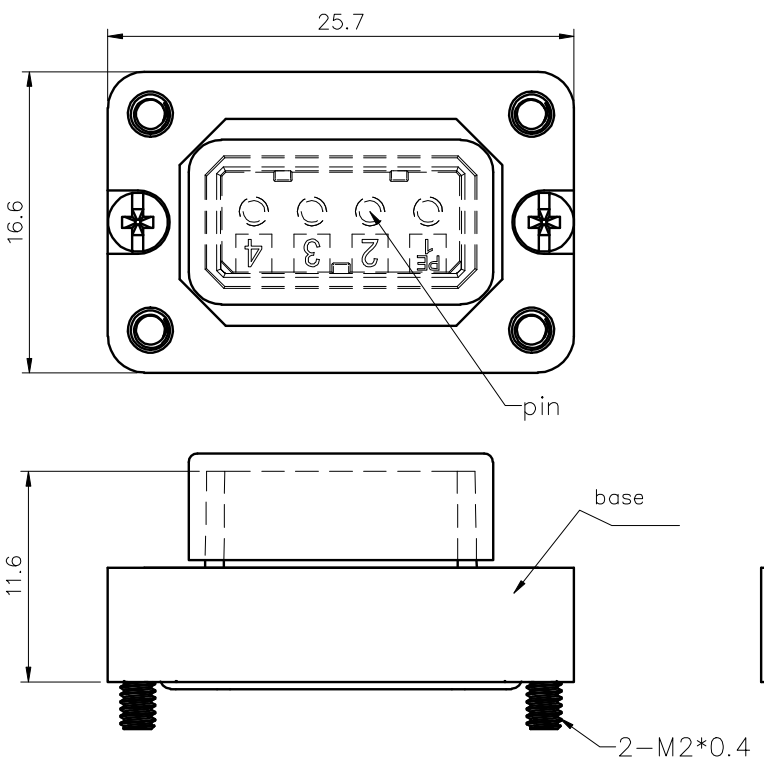
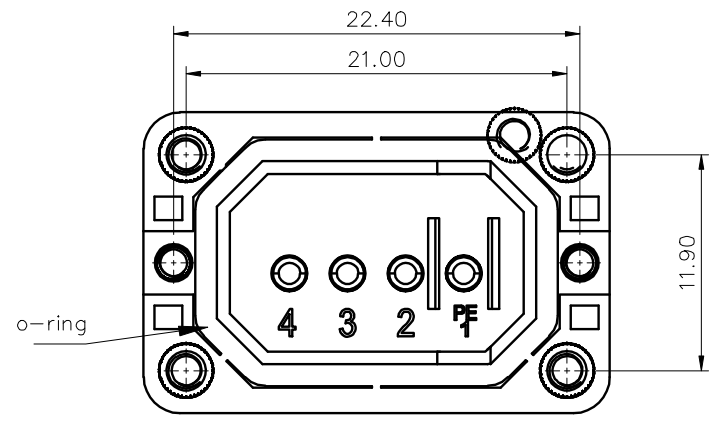


REVISION RECORD				
REV	ECN	DESCRIPTION	DRFT	DATE



NOTES:

1. Rated voltage/current : 250V / 7A
2. Insulation resistance: >100MΩ
3. Levels of protection: IP67
4. Insulation plastic: PBT
6. Operating temperature: -20°C~+105°C
7. RoHS Compliance
8. Tolerance: .x ±0.25
.xx ±0.1
∠ ± 1°



DETACHED LISTS	PART NO.: 24030000006	宁波高松电子有限公司 NINGBO DEGSON ELECTRICAL CO., LTD		
	APPD:	NAME: DGFA4S-A2-00A(H)		
	CHKD:	TITLE: ASSEMBLY DRAWING	REV	TO
	DRFT: HD 2020.07.07	DRAWING NO.: DGFA4S-A2-C01	SHEET	1/1
 THIRD ANGLE PROJECTION			DO NOT SCALE DRAWING	SCALE: 1:1