

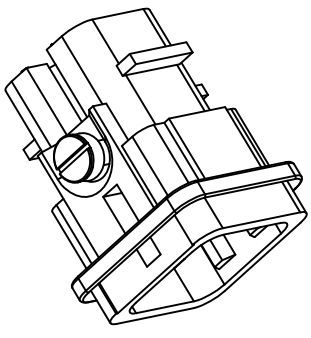
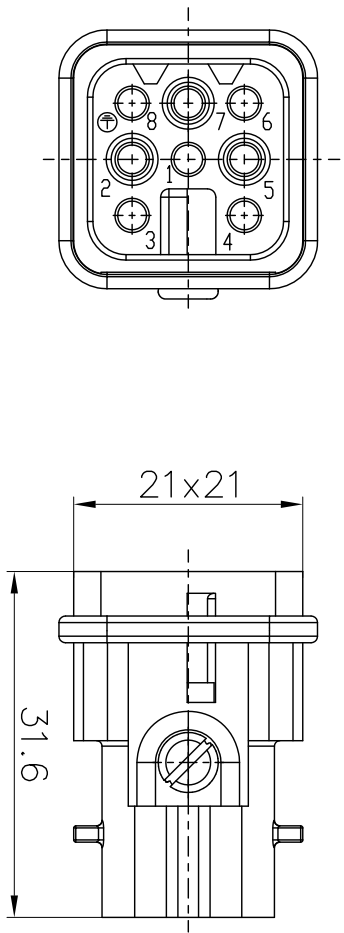
REVISION RECORD				
REV	ECN	DESCRIPTION	DRFT	DATE

Technical characteristics:

Specifications  
 DIN EN 60 664-1  
 DIN EN 61 984

Inserts


01. Number of contacts : 8
02. Rated Current : 10A
03. Rated Voltage : ~50V / -120V
04. Pollution degree : 3
05. Rated impulse voltage : 0.8KV
06. Insulation resistance :  $\geq 10^9\Omega$
07. Material: Polycarbonate
08. Rated voltage acc. to UL/CSA : 50V
09. Rated voltage(direct voltage) : 120V
10. Limiting temperatures : -40℃~+125℃
11. Flammability acc. to UL94: V0
12. Mechanical working life (mating cycles) :  $\geq 500$

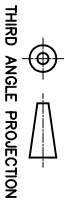


Contacts

01. Material: Copper alloy
02. Surface: hard-silver plated
03. Contact resistance :  $\leq 3m\Omega$
04. Terminal : Crimp terminal
05. Wire gauge : 0.14-2.5mm<sup>2</sup> (AWG 26-14)
06. Stripping length : 6.0-8.0mm
07. Rohs Compliance

Note: Crimp contact pins should order separately

DETACHED LISTS			
PART NO.:	/	 宁波高松电子有限公司 NINGBO DEGSON ELECTRICAL CO., LTD	
APPD:		NAME: DD-008-MC	
CHKD:		TITLE: CUSTOMER DRAWING	
DRFT:	Mr. Yang 2016.07.25	DRAWING NO.:	DD-008-MC-E01
		DO NOT SCALE DRAWING	SCALE
			1/1



THIRD ANGLE PROJECTION

A 8 7 6 5 4 3 2 1