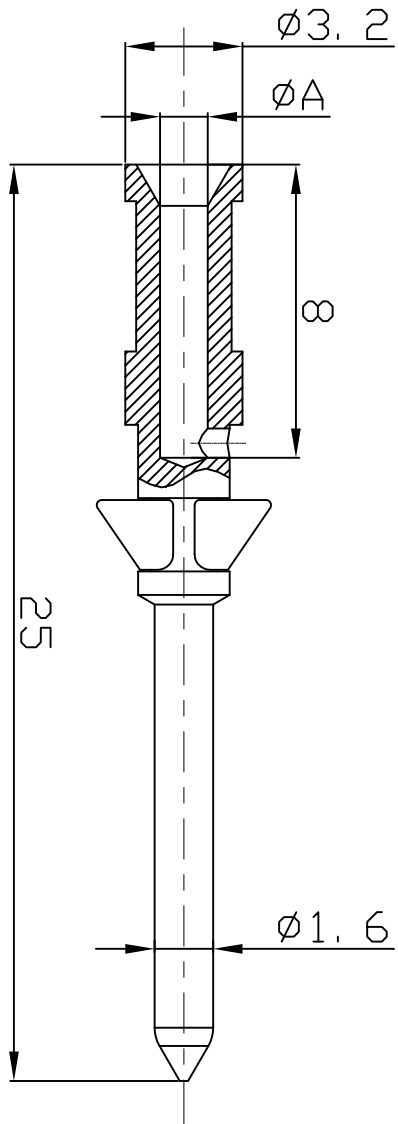


REVISION RECORD			
REV	ECN	DESCRIPTION	DRFT DATE

Type of products	(ØA)	Wire gauge		Recommended stripping length
		(mm <sup>2</sup> )	(AWG)	
10A-GM-0.37	0.9	0.14-0.37	26-22	8mm
10A-GM-0.5	1.1	0.50	20	8mm
◆ 10A-GM-0.75	1.3	0.75	18	8mm
10A-GM-1.0	1.45	1.00	18	8mm
10A-GM-1.5	1.75	1.50	16	8mm
10A-GM-2.5	2.25	2.50	14	6mm



Crimp contacts

- 01. Material :Copper alloy
- 02. Surface :Hard-Gold plated
- 03. Contact resistance : ≤3mΩ
- 04. Terminal :Crimp connection
- 05. Wire gauge : 0.37-2.5mm<sup>2</sup> (AWG 22-14)
- 06. Rohs Compliance

ITEM	NAME OF PART	NO. OF PART Q'TY	MATERIAL	NOTES

PART NO.:		/	
NAME:		DEGSON® NINGBO DEGSON ELECTRICAL CO., LTD 宁波高松电子有限公司	
TITLE:		CUSTOMER DRAWING	
DRAWING NO.:		/	
REV:		DO	
SHEET:		1/1	
SCALE:		5:1	

DETACHED LISTS			
APPD:	CHKD:	DRAFT:	THIRD ANGLE PROJECTION
		Mr. Yang 2016.08.08	