

| REVISION RECORD | | | | |
|-----------------|-----|-------------|------|------|
| REV | ECN | DESCRIPTION | DRFT | DATE |
| | | | | |

Technical characteristics:
 Specifications
 DIN EN 60 664
 DIN EN 61 984

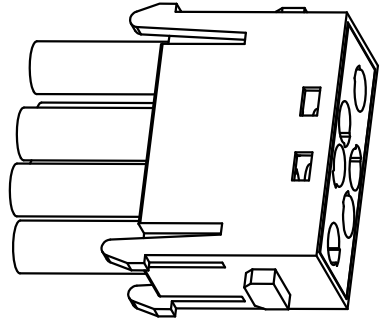
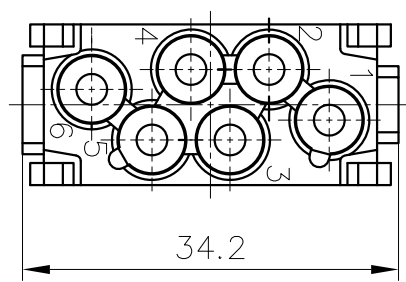
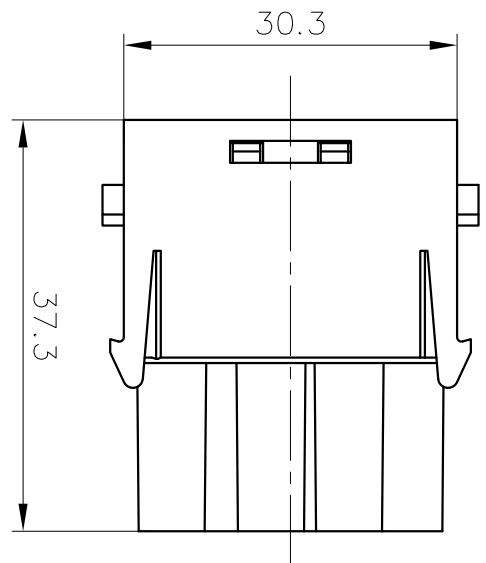
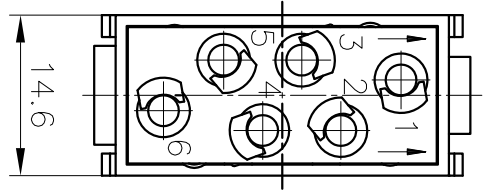
Inserts

- 01. Number of contacts : 6
- 02. Rated Current : 16A
- 03. Rated Voltage : 830V
- 04. Pollution degree : 3
- 05. Rated impulse voltage : 8kv¹⁰
- 06. Insulation resistance : $\geq 10^9\Omega$
- 07. Material : Polycarbonate
- 08. Limiting temperatures : -40°C ~ +125°C
- 09. Flammability acc. to UL94: V0
- 10. Mechanical working life (mating cycles) : ≥ 500

Contacts

- 01. Material: Copper alloy
- 02. Surface: hard-silver plated
: hard-gold plated
- 03. Contact resistance : $\leq 1m\Omega$
- 04. Terminal : Crimp terminal
- 05. Wire gauge : 0.14-4mm² (AWG 26-12)
- 06. Rohs Compliance

Note: Crimp contact pins should order separately



| DETACHED LISTS | | | |
|----------------|------------|-----------------------------------|--------------|
| PART NO.: | / | NINGBO DEGSON ELECTRICAL CO., LTD | |
| APPD: | | 宁波高松电子有限公司 | |
| CHKD: | | NAME: DVME-006-FC | |
| DRFT: Mr. yong | 2016.08.22 | TITLE: CUSTOMER DRAWING | REV: DO-1 |
| | | DRAWING NO.: | SHEET: 1/1 |
| | | THIRD ANGLE PROJECTION | SCALE: 1.5:1 |
| | | DO NOT SCALE DRAWING | |

A 8 7 6 5 4 3 2 1