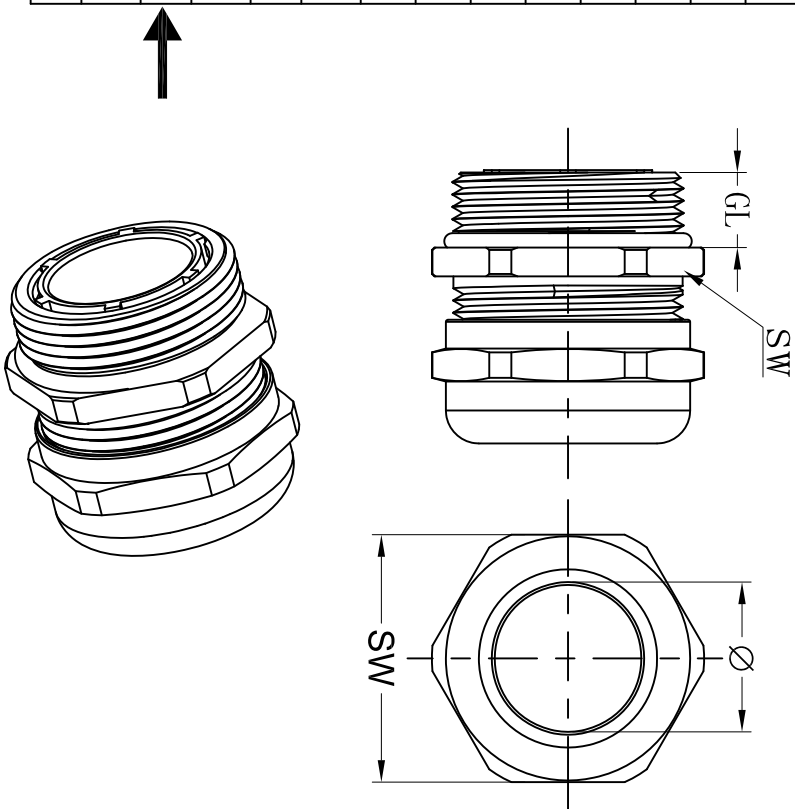


REVISION RECORD				
REV	ECN	DESCRIPTION	DRFT	DATE

Metric	PG	Claping range (∅)	SW	GL	Type
	Pg7	3-6.5	14	6.5	DDL-PG7M
	Pg9	4-8	17	7	DDL-PG9M
	Pg11	5-10	20	8	DDL-PG11M
	Pg13.5	6-12	22	8	DDL-PG13.5M
	Pg16	8-14	24	8	DDL-PG16M
	Pg21	13-18	30	8	DDL-PG21M
	Pg29	18-25	40	9	DDL-PG29M
	Pg36	22-32	50	10	DDL-PG36M
	Pg42	31-38	58	10	DDL-PG42M
	Pg48	37-44	64	12	DDL-PG48M
	M12x1.5	3-6.5	14	6.5	DDL-M12M
	M16x1.5	5-10	18	7	DDL-M16M
	M20x1.5	6-12	22	8	DDL-M20M
	M25x1.5	13-18	30	8	DDL-M25M
	M32x1.5	18-25	40	9	DDL-M32M
	M40x1.5	22-32	50	10	DDL-M40M
	M50x1.5	30-38	58	10	DDL-M50M
	M63x1.5	37-44	68	12	DDL-M63M



Metal Cable gland
 Material: Brass nickel plated
 Seal Material: NBR
 Degree of protection: IP68
 Press seal material: PA
 Temperature range: -40~100°C

DETACHED LISTS			
PART NO.:	/	NAME:	DEGSON ® NINGBO DEGSON ELECTRICAL CO., LTD 宁波高松电子有限公司
APPD:		Metal Cable gland	
CHKD:		TITLE:	CUSTOMER DRAWING
DFT:	Mr. Yang2016.08.18	DRAWING NO.:	
THIRD ANGLE PROJECTION		DO NOT SCALE DRAWING	SCALE
REV	DO-1	SHEET	1/1