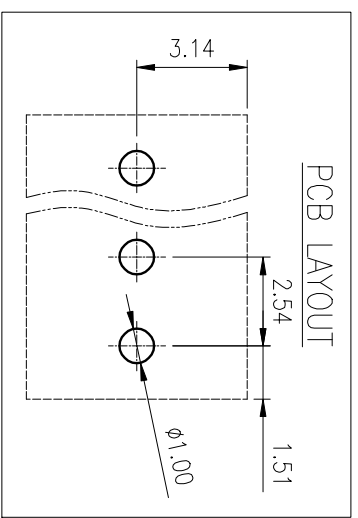
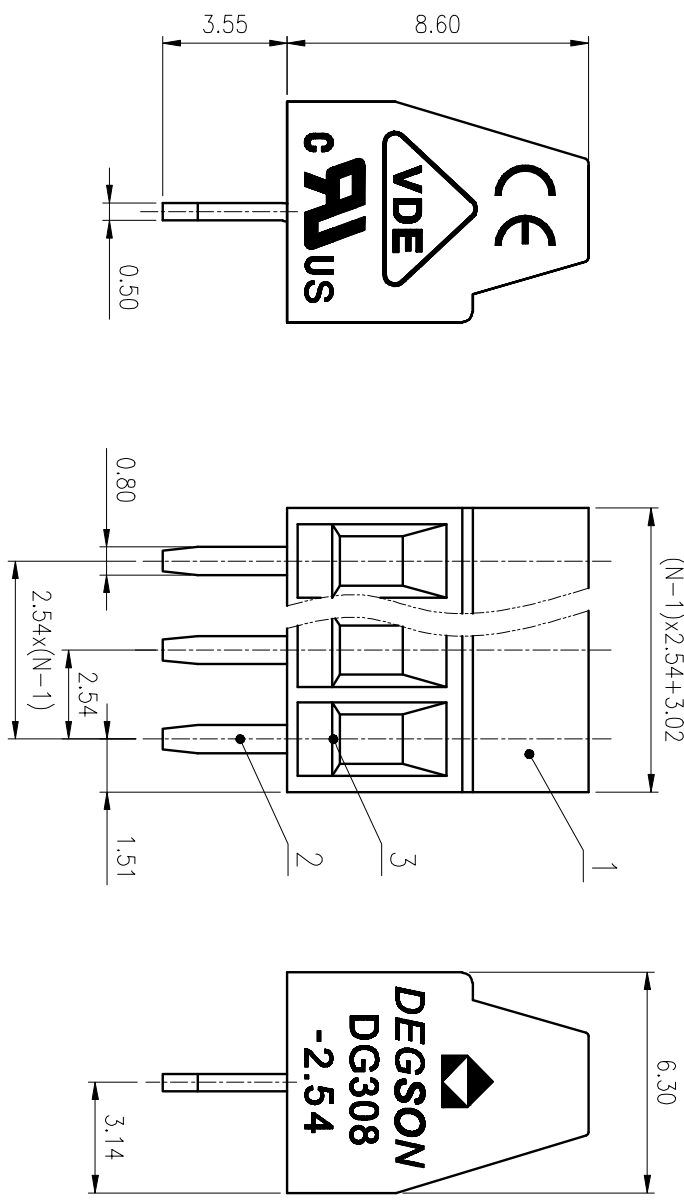
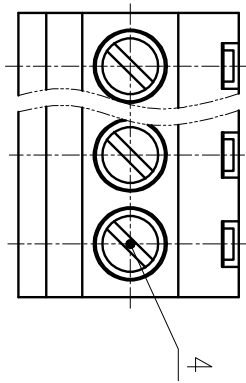


公差等级/General Tolerances(mm)		公差等级/General Tolerances(mm)										公差等级/General Tolerances(mm)	
0	>3	>6	>10	>18	>30	>50	>80	>120	>180	>280	>315	>400	0.1/10
~	~	~	~	~	~	~	~	~	~	~	~	~	
3	6	10	18	30	50	80	120	180	280	315	400	500	±Z
±0.12	±0.18	±0.22	±0.26	±0.31	±0.37	±0.57	±0.80	±0.93	±1.05	±1.15	±1.60	±2.20	



4	Screws	Steel	Ni Plated
3	Cage	Copper alloy	Sn Plated
2	Pin Header	Copper	Sn Plated
1	Housing	PA66	UL94V-0
ITEM	NAME OF PART	MATERIAL	NOTES
UL 标准 / UL Standard:		B	C
额定电压/电涌/Rated Voltage(V)/Current(A)		150/6	/
IEC 标准 / IEC Standard:		/	/
过压类别 / Overvoltage Category / 污染等级 / Pollution Degree		/	III/2
额定电压/电涌/Rated Voltage(V)/Current(A)		/	130/8
工频耐压 / Withstanding Voltage(V/Min)		/	AC1250
螺丝扭矩 / Torque Tightening(N·m/Lb.in)		M1.6	0.15/1.29
线径范围(硬线和软线) / Wire Range(rigid and flexible)(mm² / AWG)		0.5~1.0	26~18
间距 / Pitch(mm) / 线径范围 / Wires		5.00	N=02~12P
剥线长度 / Stripping length(mm)			4.5
使用温度范围 / Operating Temperature(°C)			-40~+105
符合 RoHS 环保要求 / Conform to RoHS			Yes
标准颜色编号 / Standard color number:			/
PANTONE / RAL			/

MATERIAL: SURFACE:

MAT NO.: /

STATUS: /

APPD: Li GL 2020.06.15

CHKD: Moo J 2020.06.15

DRT:Wgng LX 2020.06.15

NAME: **DEGSON® NINGBO DEGSON ELECTRICAL CO., LTD**

NAME: **DG308-2.54-XXP-1Y-00A(H)**

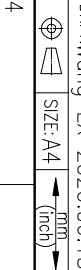
DRAWING NO.: DG308-C01

TYPE: CUSTOMER DRAWING

SCALE: 5:1

REV T0 1/1

REV	ECN	DESCRIPTION	DRT	DATE



1 2 3 4 5 6