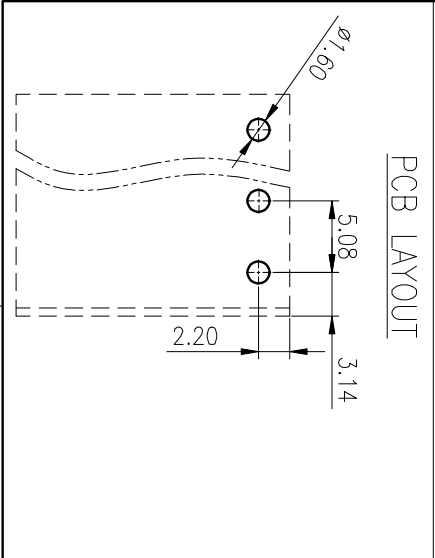
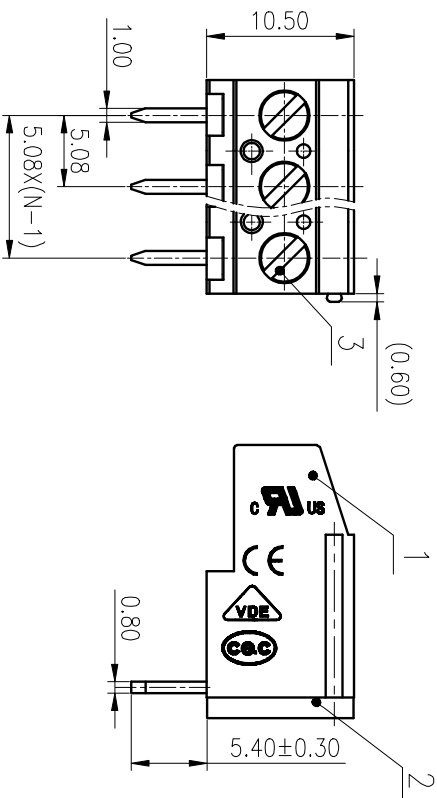
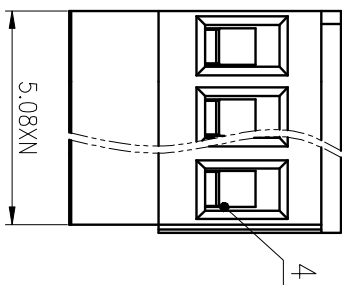


公差等级/General Tolerances(mm)		公差等级/General Tolerances(mm)										公差等级/General Tolerances(mm)		
0	>3	>6	>10	>18	>30	>50	>80	>120	>180	>250	>315	>400	>500	0.1/10
~	~	~	~	~	~	~	~	~	~	~	~	~	~	±Z
±0.12	±0.18	±0.22	±0.26	±0.31	±0.37	±0.57	±0.80	±0.93	±1.05	±1.15	±1.60	±2.20	±2.50	±Z



REV	ECN	DESCRIPTION	DRAFT	DATE	SIZE: A4	TYPE: CUSTOMER DRAWING	SCALE: 2:1	REV	T0
1									
2									
3									
4									

MATERIAL:	/	SURFACE:	/
MAT NO.:	/	NINGBO DEGSON ELECTRICAL CO., LTD	
STATUS:	/	NAME: DG129R-5.08-XXP-1Y-00A(H)	
Appd: LanChH	2020.05.16	DRAWING NO.: 10001988	
CHKD: YJZ	2020.05.16	TYPE: CUSTOMER DRAWING	
DRT: ChenZh	2020.05.16	SCALE: 2:1	
		REV	T0
		1/1	

ITEM	NAME OF PART	MATERIAL	NOTES
1	Housing	PA66	UL94V-0
2	Cover	PA66	UL94V-0
3	Screw	Steel	M3/Zn plated
4	Cage	Copper alloy	M3/Ni plated
5	Pin header	Copper alloy	Sn plated

UL 标准/UL Standard:	B	C	D
额定电压/Rated Voltage(V)	300	20	300/70
IEC 标准/IEC Standard:	III/2		
过压类别/Overvoltage Category/污秽等级/Pollution Degree	250/20		
额定电压/电涌/Rated Voltage(V)/Current(A)	AC2000		
工频耐压/Withstanding voltage(V/1Min)	M3, 0.5/4.43		
螺栓扭矩/Torque Tightening(N·m/Lbin)	0.5~2.5/26~12		
线径范围(硬线和软线)/Wire Range(rigid and flexible)(mm <sup>2</sup> /AWG)	5.08/N=02~24P		
引线长度/Stripping length(mm)	8		
使用温度范围/Operating temperature(°C)	-40~+105		
符合RoHS标准/Conform to RoHS	Yes		