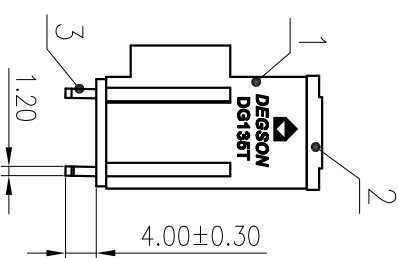
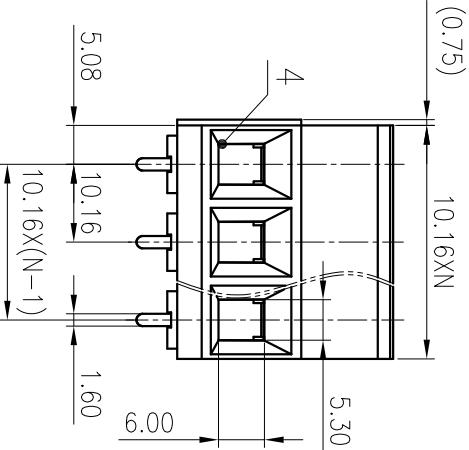
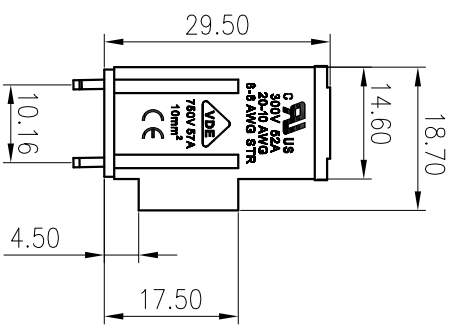
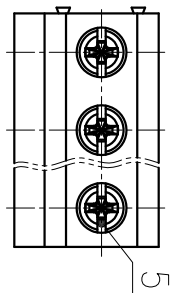


公差/General tolerances(mm)		公差/General tolerances(mm)	
0	>3	>10	>18
~	~	~	~
3	6	10	18
~	~	~	~
±0.12	±0.18	±0.22	±0.26
±0.31	±0.37	±0.57	±0.80
±1.05	±1.15	±1.60	±2.50
±2	±2.50	±2.50	±2.50



ITEM	NAME OF PART	MATERIAL	NOTES
5	Screw	Steel	M4/Zn Plated
4	Cage	Copper alloy	M4/Ni Plated
3	Pin header	Copper	Sn Plated
2	Cover	PBT	UL94V-0
1	Housing	PBT	UL94V-0

UL 标准/UL Standard:	B	C	D
额定电压/Rated Voltage(V)/Current(A)	300/52	300/52	600/5
EC 标准/IEC Standard:			
过压类别/Overvoltage Category/污染等	III/2		
额定电压/电流/Rated Voltage(V)/Current(A)	750/57		
工频耐压/Withstanding voltage	AC3000V/1min		
螺丝扭矩/Torque Tightening(N·m/Lb·in)	M4, 1.2/10.53		
导线范围(硬线和软线)/Wire Range(rigid and flexible)(mm²/AWG)	4~10/20~6		
间距/Pitch(mm)/线数范围/Poles	10.16/N=2~12P		
剥线长度/Stripping length(mm)	11~12		
使用温度范围/Operating temperature(°C)	-30~+120		
符合RoHS环保要求/Conform to RoHS	Yes		



PCB LAYOUT

REV	ECN	DESCRIPTION	DRAFT	DATE	DRFI	SIZE	SCALE	SHEET
T1		1xCorrect PCB board size	Bo YH	2022.04.11	DRFI: BaYH 2020.05.16	A4	1:1	1/1

MATERIAL:	
MAT NO.:	/
STATUS:	/
APPD:	LanChH 2022.04.11
CHKD:	ChenZh 2022.04.11
NAME:	NINGBO DEGSON ELECTRICAL CO., LTD
DRAWING NO.:	10002031
TYPE:	CUSTOMER DRAWING

DEGSON
 宁波高松电子有限公司
 NINGBO DEGSON ELECTRICAL CO., LTD

DG135T-10.16-XXP-1Y-00A(H)