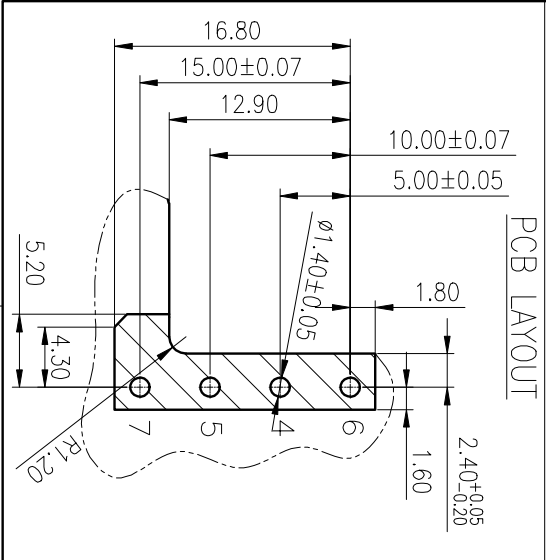


未标尺寸请参考3D文件

规格等级/General	tolerance/(mm)	0	>3	>6	>10	>18	>30	>50	>80	>120	>180	>250	>315	>400	>500	0.1/10
~	~	3	6	10	18	30	50	80	120	180	250	315	400	500	>500	0.1/10
±0.12	±0.18	±0.22	±0.26	±0.31	±0.37	±0.57	±0.80	±0.93	±1.05	±1.15	±1.60	±2.20	±2.50	±2.50	±2.50	±2



REV	ECN	DESCRIPTION	DRAFT	DATE

MATERIAL:	/	SURFACE:	/
MAT NO.:	/	NINGBO DEGSON ELECTRICAL CO., LTD	
STATUS:	/	DRAWING NO.: 10001991	
APPD:	LanChH 2020.08.05	NAME: DG130LF-5.0-04P-1Y-00A(H)	
CHKD:	YJZ 2020.08.05	DRAWING NO.: 10001991	
DRAFT:	ChenZh 2019.01.05	TYPE: CUSTOMER DRAWING	
SIZE:	A4	SCALE:	2:1
		REV	T0
		SHEET	1/1

UL 标准/UL Standard:	B	C	D
额定电压/电流/Rated Voltage(V)/Current(A)	300/20	/	300/10
IEC 标准/IEC Standard:			
过压类别/Overvoltage Category/污秽等级/Pollution Degree	III/3	III/2	II/2
额定电压/电流/Rated Voltage(V)/Current(A)	250/24	400/24	630/24
额定脉冲电压(KV)/Rate Impulse Voltage(KV)	4.0	4.0	4.0
螺丝扭矩(螺栓和软线)/Wire Range(rigid and flexible)(mm <sup>2</sup> /AWG)	M3, 0.6/5.32	0.2~2.5/30~12	
剥线长度/Stripping length(mm)	8		
使用温度范围/Operating temperature(°C)	-40~+105		
符合RoHS环保要求/Conform to RoHS	Yes		

ITEM	NAME OF PART	MATERIAL	NOTES
7	Pin header-4	Copper	Sn Plated
6	Pin header-3	Copper alloy	Sn Plated
5	Pin header-2	Copper alloy	Sn Plated
4	Pin header-1	Copper	Sn Plated
3	Screw	Steel	M3/Zn Plated
2	Cage	Copper alloy	M3/Ni Plated
1	Housing	PA66	UL94V-0