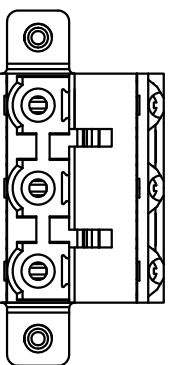
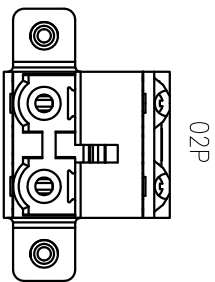
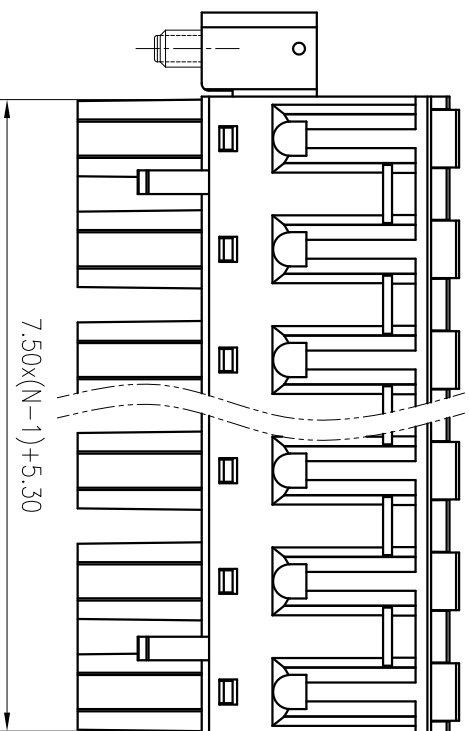
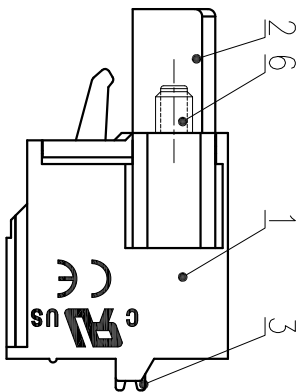
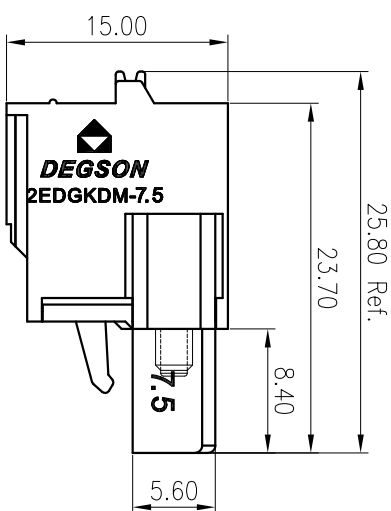
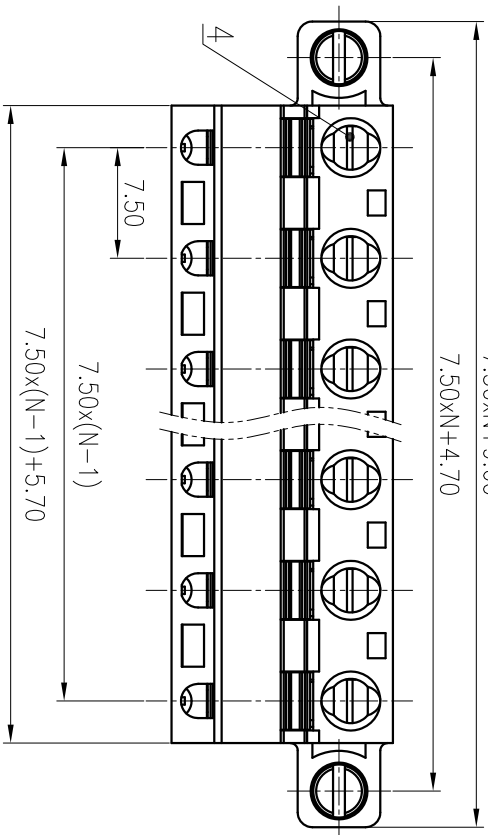
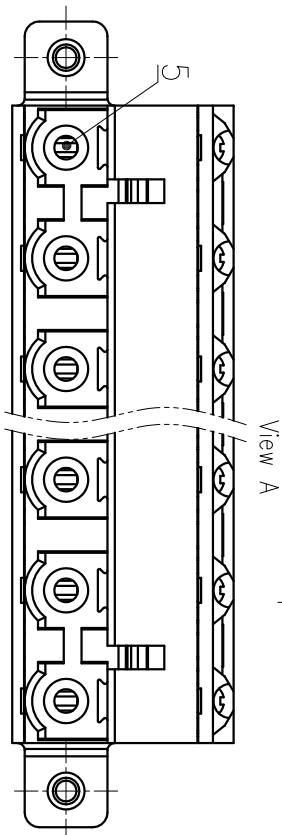


公差/General Tolerances(mm)		公差/General Tolerances(mm)	
0	>3	>10	>180
~	~3	~	~315
3	~6	~	~400
~	~10	~	~500
±0.12	±0.18	±0.22	±0.31
±0.26	±0.31	±0.37	±0.57
±0.80	±0.93	±1.05	±1.15
±1.60	±2.20	±2.50	±2.50
±2	±2	±2	±2



ITEM	NAME OF PART	MATERIAL	NOTES
6	Screw	Steel	M2.5/Zn Plated
5	Spring	Stainless steel	/
4	Clamp	Copper alloy	Sn Plated
3	Button	PA66	UL94V-0
2	Cover	PA66	UL94V-0
1	Housing	PA66	UL94V-0

UL 标准/UL Standard:	B	C	D
额定电压/电流/Rated Voltage(V)/Current(A)	300/10	/	300/10
IEC 标准/IEC Standard:			
过压类别/Overvoltage Category/污染等			
级/ Pollution Degree	III/3	III/2	II/2
额定电压/电流/Rated Voltage(V)/Current(A)	400/20	400/20	1000/20
额定脉冲电压/Rate Impulse Voltage(KV)	4	4	6
螺丝扭矩/Torque Tightening(N·m/Lb·in)	M2.5, 0.4/3.54		
线径范围(硬线和软线)/Wire Range(rigid and flexible)(mm ² /AWG)	0.2~2.5/26~12		
间距/Pitch(mm)/线数范围/Poles	7.5/N=02~16P		
剥线长度/Stripping length(mm)	9-10		
使用温度范围/Operating temperature(°C)	-40~+105		
符合RoHS环保要求/Conform to RoHS	Yes		

MATERIAL:	SURFACE: /
MAT NO.:	/
STATUS:	/

APPD: Li GL 2020.05.26	NAME:	宁波高松电子有限公司
CHKD: Mo EK 2020.05.26		NINGBO DEGSON ELECTRICAL CO., LTD
DRFT: CZ 2017.06.08	DRAWING NO.:	2EDGKDM-7.5-C01
	TYPE:	CUSTOMER DRAWING
	SCALE:	2:1
	SHEET	1/1

REV	ECN	DESCRIPTION	DRFT	DATE