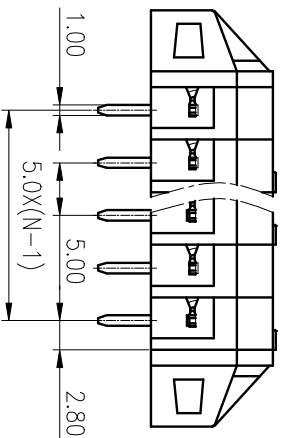
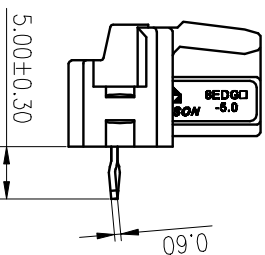
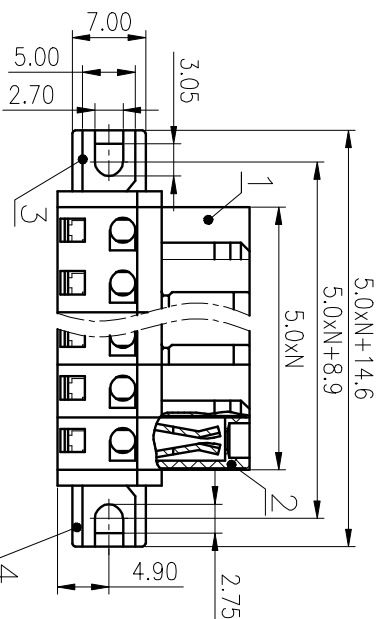
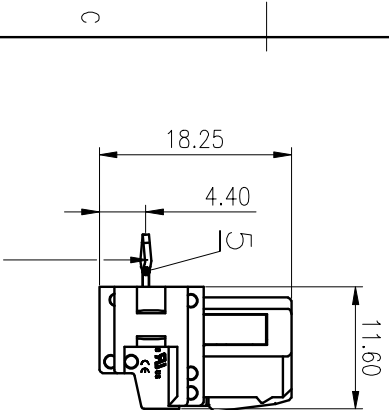


Bending the pin-header
after assembling



| 尺寸公差/General | 公差值/ tolerances(mm) | 0 | >3 | >6 | >10 | >18 | >30 | >50 | >80 | >120 | >180 | >250 | >315 | >400 | >500 | 0.1/10 |
|--------------|---------------------|-------|-------|-------|-------|-------|-------|-------|-------|-------|-------|-------|-------|------|------|--------|
| ~ | ~ | ~ | ~ | ~ | ~ | ~ | ~ | ~ | ~ | ~ | ~ | ~ | ~ | ~ | ~ | ±Z |
| ±0.12 | ±0.18 | ±0.22 | ±0.26 | ±0.31 | ±0.37 | ±0.57 | ±0.80 | ±0.93 | ±1.05 | ±1.15 | ±1.60 | ±2.20 | ±2.50 | | | |

| ITEM | NAME OF PART | MATERIAL | NOTES |
|------|---------------|--------------|-----------|
| 5 | Clamp | Copper alloy | Sn plated |
| 4 | Right housing | PA66 | UL94V-0 |
| 3 | Left housing | PA66 | UL94V-0 |
| 2 | Housing2 | PA66 | UL94V-0 |
| 1 | Housing1 | PA66 | UL94V-0 |

| UL 标准 / UL Standard: | B | C | D |
|---|----------------|-------|--------|
| 额定电压/电涌 / Rated Voltage(V)/Current(A) | 300/15 | / | 300/10 |
| IEC 标准 / IEC Standard: | | | |
| 过压类别 / Overvoltage Category / 污染等级 / Pollution Degree | III/3 | III/2 | II/2 |
| 额定电压/电涌 / Rated Voltage(V)/Current(A) | 320/20 | / | / |
| 额定电涌电压 / Rate Impulse Voltage(KV) | 4.0 | / | / |
| 线径范围(硬线和软线) / Wire Range(rigid and flexible)(mm² / AWG) | / | / | / |
| 间距 / Pitch(mm) / 线数范围 / Poles | 5.0 / N=02~24P | | |
| 剥线长度 / Stripping length(mm) | 6~7 | | |
| 使用温度范围 / Operating Temperature(°C) | -40~+105 | | |
| 符合 RoHS 环保要求 / Conform to RoHS | Yes | | |
| 标准颜色编号 / Standard color number: | PANTONE 428C | | |

| | | | |
|-----------|---|----------|---|
| MATERIAL: | / | SURFACE: | / |
| MAT NO.: | / | | |
| STATUS: | / | | |
| APPD: | | | |
| CHKD: | | | |

NINGBO DEGSON ELECTRICAL CO., LTD
8EDGCM-5.0-XXP-11-01A(H)

| | | | |
|--------------|------------------|--------|-----|
| DRAWING NO.: | 8EDGCM-5.0-C02 | REV | T0 |
| TYPE: | CUSTOMER DRAWING | SCALE: | 2:1 |
| | | SHEET | 1/1 |

| REV | ECN | DESCRIPTION | DRAFT | DATE |
|-----|-----|-------------|-------|------|
| 1 | | | | |
| 2 | | | | |
| 3 | | | | |
| 4 | | | | |