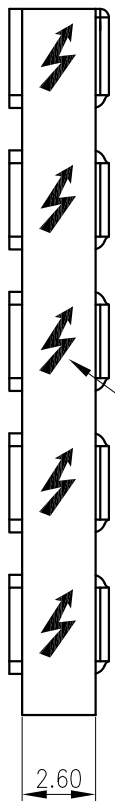
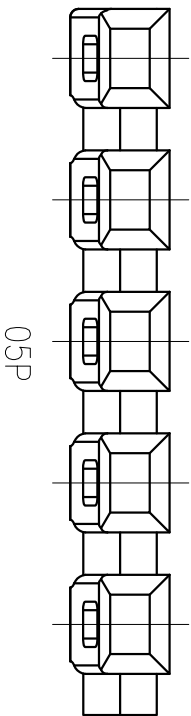
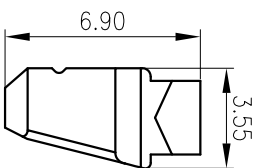
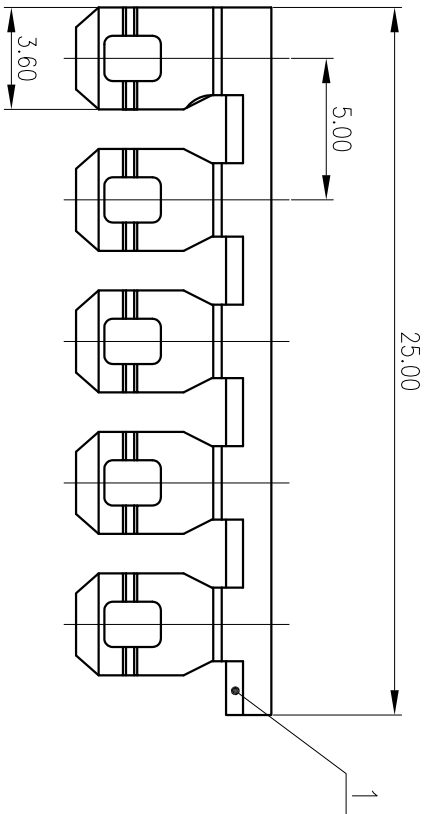


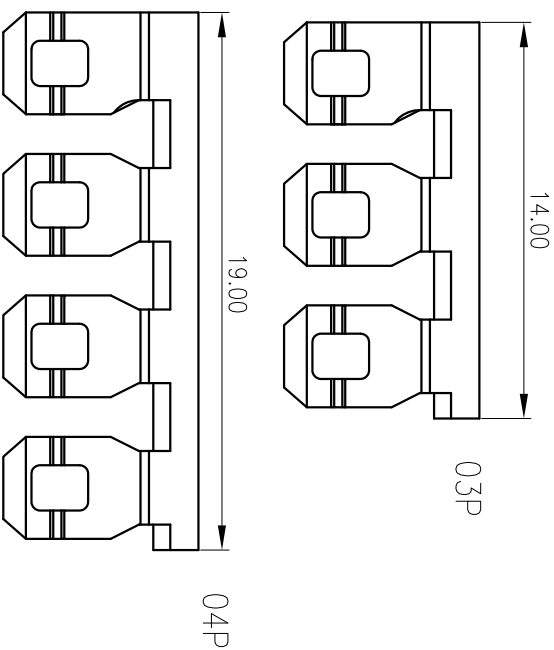
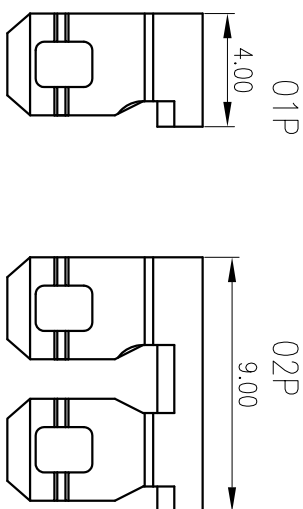
公差表 (General Tolerances)(mm)		公差表 (General Tolerances)(mm)
0	>3	>18
~	>6	>30
~	>10	>50
~	>18	>80
~	>30	>120
~	>50	>180
~	>80	>250
~	>120	>315
~	>180	>400
~	>250	>500
~	>315	>630
~	>400	>800
~	>500	>1000
±0.12	±0.18	±0.22
±0.20	±0.31	±0.37
±0.57	±0.80	±1.05
±1.15	±1.60	±2.20
±2.50		
±Z		



Printing color: Black



05P



ITEM	NAME OF PART	MATERIAL	NOTES
1	Housing	PA66	UL94V-0
面距/Pitch (mm)/线数范围/Poles: 5.0/01P~05P			
使用温度范围/Operating temperature(°C): -40~+105			
符合RoHS环保要求/Conform to RoHS: Yes			

MATERIAL:

SURFACE:

MAT NO.:

STATUS:

APPD: Li GL 2020.06.06

CHKD: Mao J 2020.06.06

DRTT: Feng X 2020.05.30

DEGSON® 宁波高松电子有限公司  
NINGBO DEGSON ELECTRICAL CO., LTD

NAME: EEA2.5-05P-1Y-00A(H)

DRAWING NO.: EEA2.5-C01

REV EGN DESCRIPTION

DRTT DATE

SIZE: A4

TYPE: CUSTOMER DRAWING

SCALE: 4:1

SHEET

1/1

REV

TO

1/1