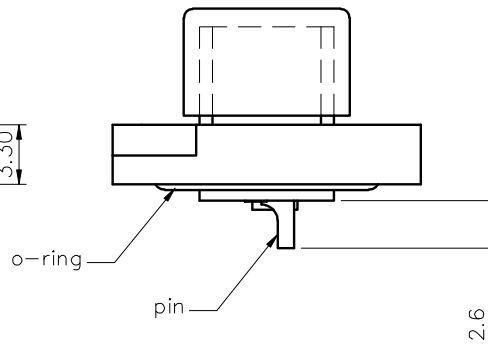
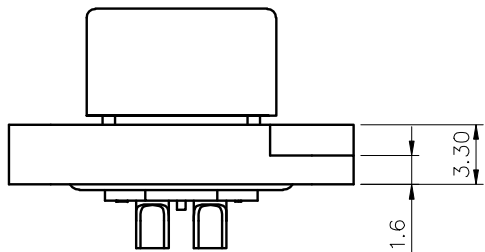
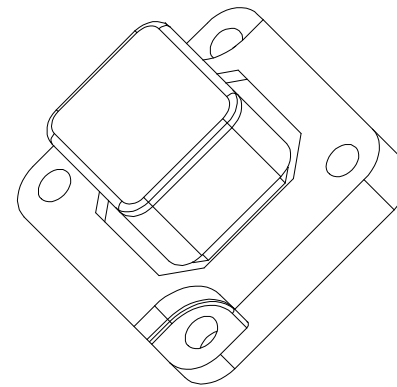
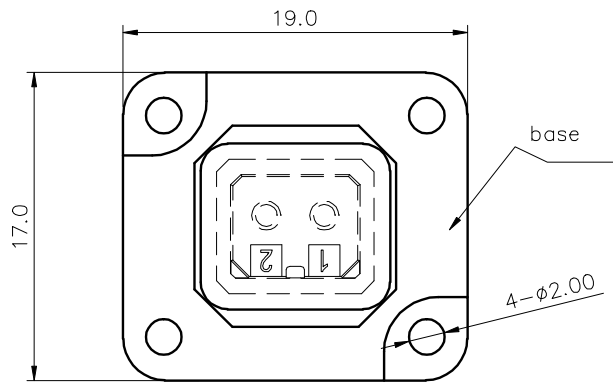
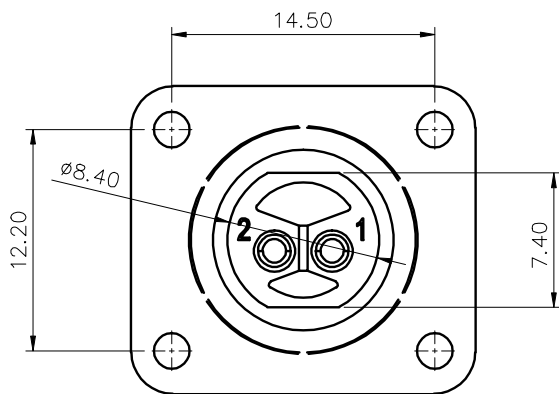


REVISION RECORD				
REV	ECN	DESCRIPTION	DRFT	DATE



- NOTES:
1. Rated voltage/current : 250V / 7A
 2. Insulation resistance: >100MΩ
 3. Levels of protection: IP67
 4. Insulation plastic: PBT
 5. Operating temperature: -20°C~+105°C
 6. RoHS Compliance
 7. Tolerance: .x ±0.25
.xx ±0.1
∠ ± 1'



DETACHED LISTS	PART NO.: 24030000001	宁波高松电子有限公司 NINGBO DEGSON ELECTRICAL CO., LTD		
	APPD:	NAME: DGFA2S-A1-00A(H)		
	CHKD:	TITLE: ASSEMBLY DRAWING		
	DRFT: HD 2020.07.07	REV	TO	
 THIRD ANGLE PROJECTION		DRAWING NO.: DGFA2S-A1-C01	SHEET	1/1
			DO NOT SCALE DRAWING	SCALE 1:1