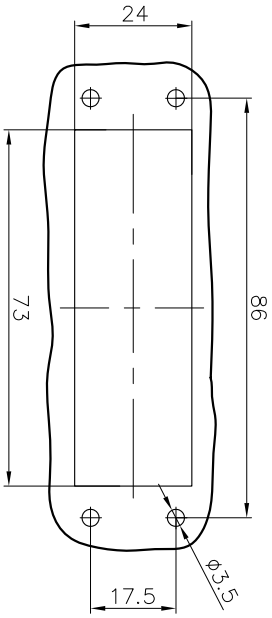
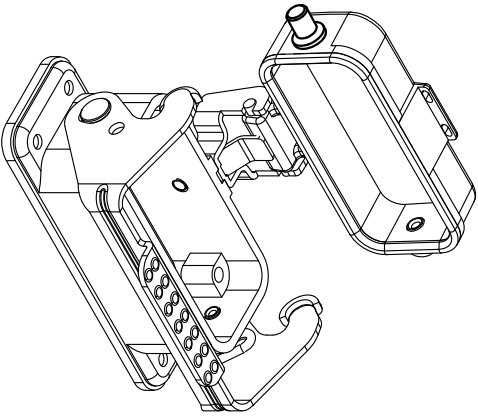
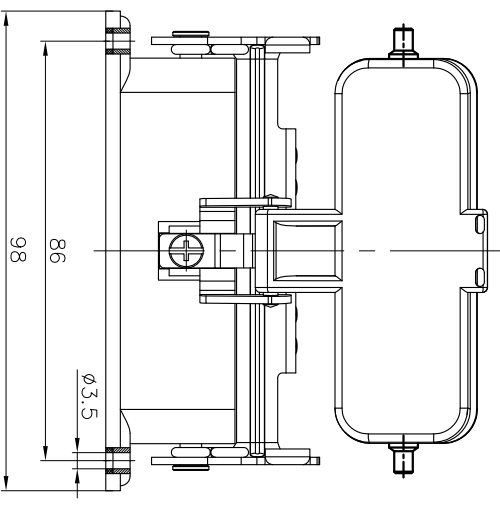
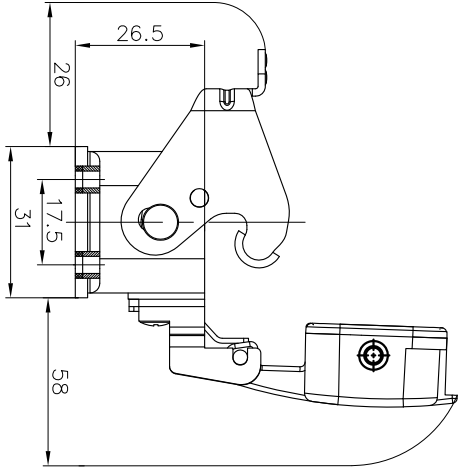


REVISION RECORD				
REV	ECN	DESCRIPTION	DRFT	DATE



Panel cut out

- Housings Feature
- 01. Material: aluminium die-cast
 - 02. Surface: Powder-coated
 - 03. Color: grey (RAL 7037)
 - 04. Material: Metal (Lever)
 - 05. Sealing: NBR
 - 06. Covers: Metal
 - 07. Limiting temperatures: -40°C ~ +125°C
 - 08. Flammability acc to UL94: V0
 - 09. Degree of protection acc. to EN60529 for coupled connector : IP65
 - 10. Rohs compliance

DETACHED LISTS			
PART NO.:	APPD.:	NAME:	 NINGBO DEGSON ELECTRICAL CO., LTD 宁波高松电子有限公司
CHKD.:	DRFT.:	TITLE:	
THIRD ANGLE PROJECTION		CUSTOMER DRAWING	D16A-BK-1L-MCV
		DRAWING NO.:	REV
		DO NOT SCALE DRAWING	DO-1
		SCALE	1/1
			1:1.5

A 8 7 6 5 4 3 2 1