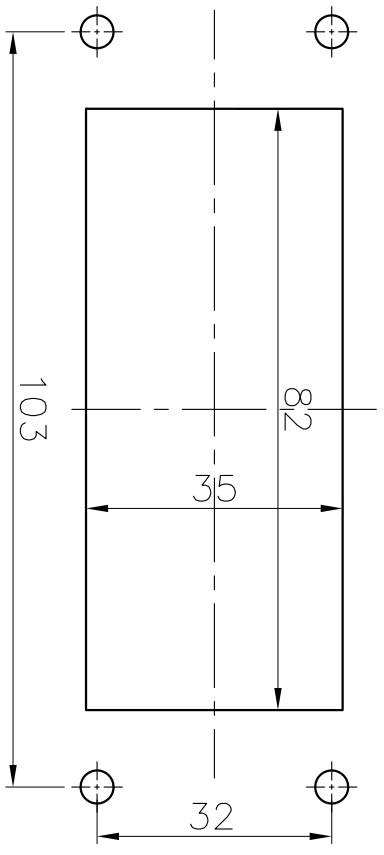
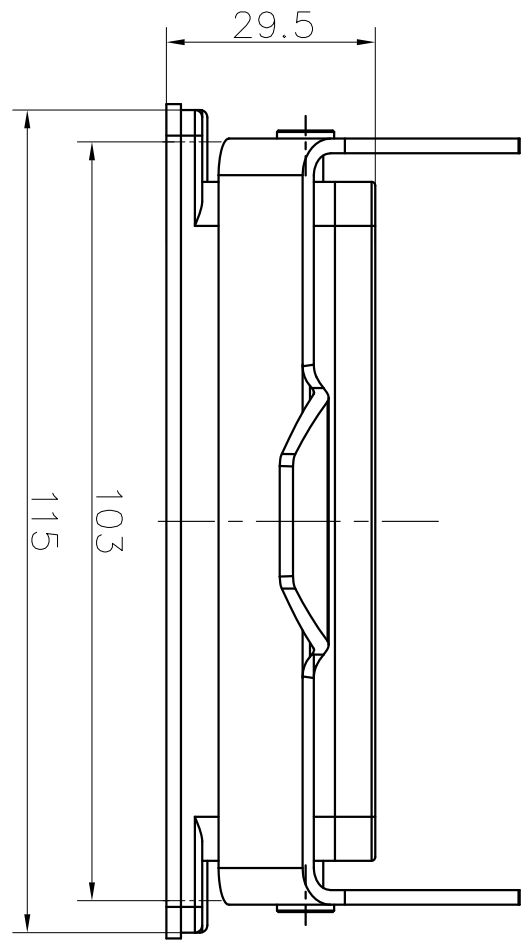
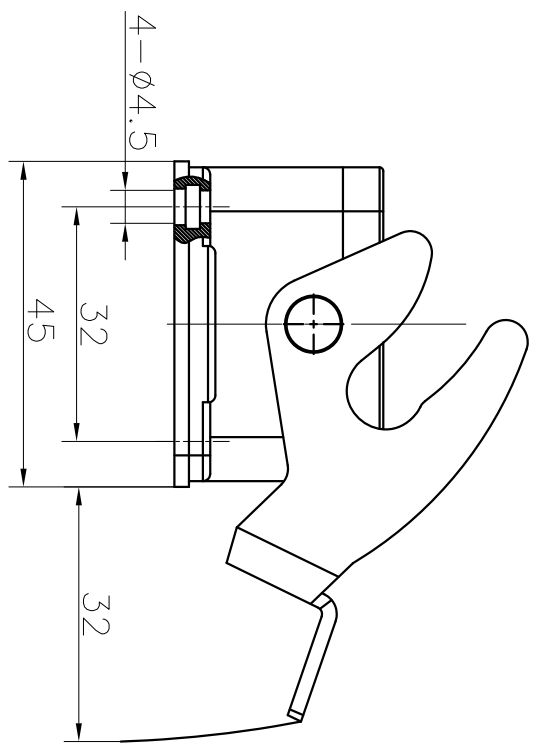
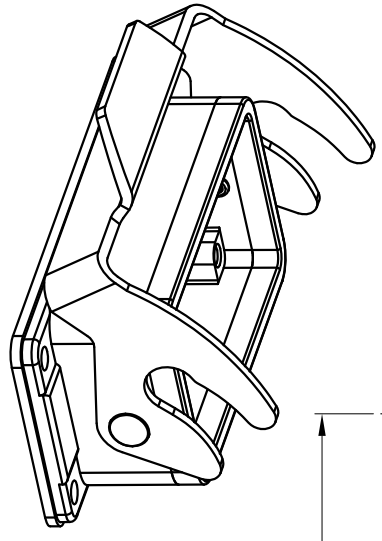


REVISION RECORD				
REV	ECN	DESCRIPTION	DRFT	DATE



Panel cut out

- Housings Feature**
1. Material: aluminium die-cast
  2. Surface: Powder-coated
  3. Color: grey (RAL 7037)
  4. Material: Metal (Lever)
  5. Sealing: NBR
  6. Limiting temperatures: -40°C ~ +125°C
  7. Flammability acc to UL94: V0
  8. Degree of protection acc.to EN60529 for coupled connector : IP65
  9. Rohs compliance



DETACHED LISTS			
PART NO.:	/	NAME:	NINGBO DEGSON ELECTRICAL CO., LTD
APPRD:		NAME:	宁波高松电子有限公司
CHKD:		TITLE:	CUSTOMER DRAWING
DRFT:	M.yong 2017.06.28	DRAWING NO.:	D16B-BK-1L
THIRD ANGLE PROJECTION		DO NOT SCALE DRAWING	SCALE
		REV	DO-1
		SHEET	1/1
		SCALE	1:1