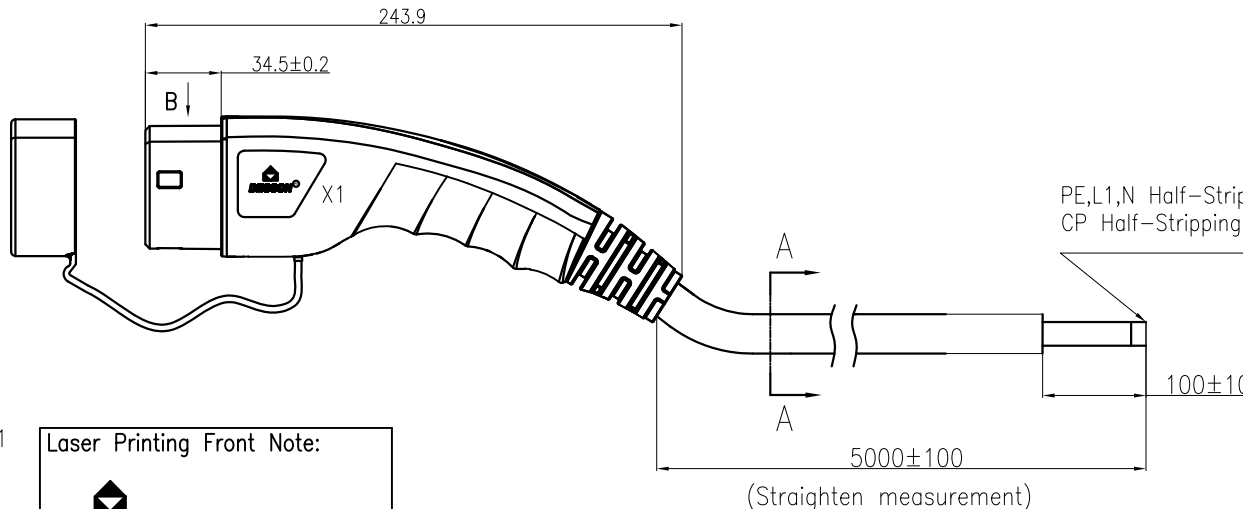
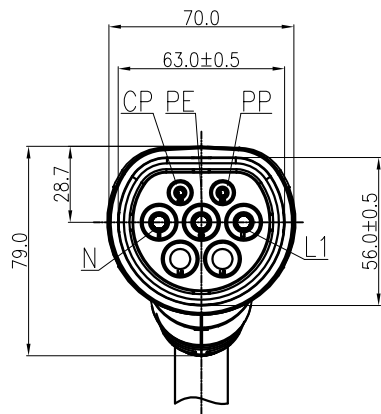


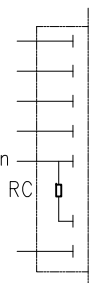
未注公差/General tolerances(mm)										0.1/10 ±2'			
0 ~ 3	>3 ~ 6	>6 ~ 10	>10 ~ 18	>18 ~ 30	>30 ~ 50	>50 ~ 80	>80 ~ 120	>120 ~ 180	>180 ~ 250		>250 ~ 315	>315 ~ 400	>400 ~ 500
±0.12	±0.18	±0.22	±0.26	±0.31	±0.37	±0.57	±0.80	±0.93	±1.05	±1.15	±1.60	±2.20	±2.50



PE,L1,N Half-Stripping 10mm,
CP Half-Stripping 8mm

Wiring diagram

- L1 2.5mm² Brown
- L2 Spare
- L3 Spare
- N 2.5mm² Blue
- PE 2.5mm² Yellow/Green
- PP
- CP 0.75mm² Red



RC=680Ω±3%

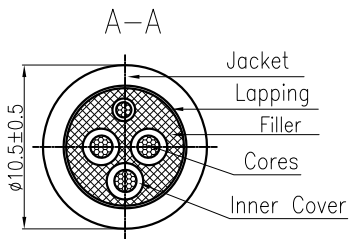
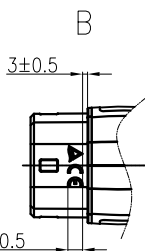
X1

Laser Printing Front Note:



Laser Printing Back Note(Arial):

MEAC-S-016A-V1-03-5.0M-30AH
16A 250V AC
IEC 62196-2:2016
IP54
20xxxxxx-xxxx



额定电压/Rated Voltage/Current	250V AC/16A
绝缘电阻/Insulate Resistance	>100MΩ,500V DC 1min
耐压/Withstanding Voltage	L、N and PE ,2500V AC 1min L and N ,2500V AC 1min
防护等级/Ingress Protection	IP54
插拔寿命/Insertion/Pullout Times	10,000 Times
插拔力/Insertion/Pullout Force	<100N
使用温度范围/Operating temperature(°C)	-30~+50
线材规格/Cable specification	3*2.5mm ² +1*0.75mm ² Black
标准/Reference standard	IEC 62196-2:2016
符合RoHS环保要求/Conform to RoHS	Yes

		MATERIAL:		SURFACE/COLOR:	
MAT NO/REV: D0-1		NAME		MAT STATUS:	
APPD: Ye DB 2024.09.12		MEAC-S-016A-V1-03-5.0M-30A(H)			
CHKD: Dong RT 2024.09.12		DRAWING NO.			
DRFT: Hu MY 2024.09.12		TYPE		DRAWING STATUS	
A4		CUSTOMER DRAWING		SCALE	
				1:3	
				SHEET	
				1/1	

REV	ECN	DESCRIPTION	DRFT	DATE

A

B

C

D

Transfer or duplication of this document as well as the application or common position of its contents are prohibited, unless authorized in writing. All rights reserved for patent, copyright, trademark, or other intellectual property rights. 未经授权，不得复制或传播本文件中的内容。保留所有权利。本公司保留对设计变更的所有权利。