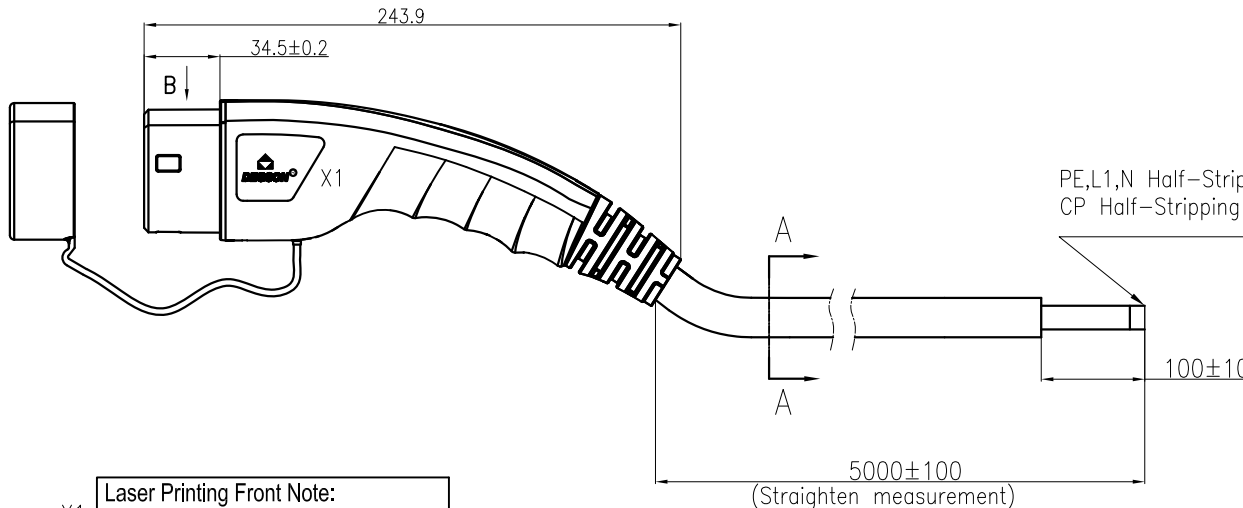
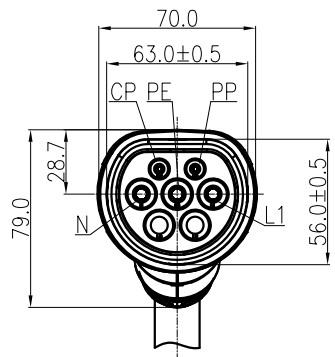


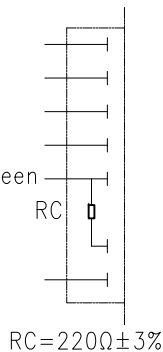
未注公差/General tolerances(mm)											0.1/10 ±2'		
0	>3	>6	>10	>18	>30	>50	>80	>120	>180	>250		>315	>400
±0.12	±0.18	±0.22	±0.26	±0.31	±0.37	±0.57	±0.80	±0.93	±1.05	±1.15	±1.60	±2.20	±2.50



PE,L1,N Half-Stripping 10mm,
CP Half-Stripping 8mm

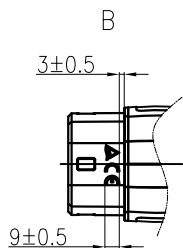
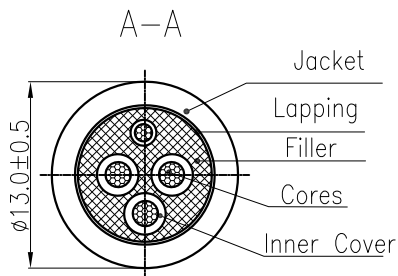
Wiring diagram

- L1 6mm² Brown
- L2 Spare
- L3 Spare
- N 6mm² Blue
- PE 6mm² Yellow/Green
- PP
- CP 0.75mm² Red



X1

Laser Printing Front Note:
DEGSON
Laser Printing Back Note(Arial):
MEAC-S-032A-V1-03-5.0M-30AH
32A 250V AC
IEC 62196-2:2016
IP54
20xxxxxx-xxxx



额定电压电流/Rated Voltage/Current	250V AC/32A
绝缘电阻/Insulate Resistance	>100MΩ,500V DC 1min
耐压/Withstanding Voltage	L、N and PE ,2500V AC 1min L and N ,2500V AC 1min
防护等级/Ingress Protection	IP54
插拔寿命/Insertion/Pullout Times	10,000 Times
插拔力/Insertion/Pullout Force	<100N
使用温度范围/Operating temperature(°C)	-30~+50
线材规格/Cable specification	3*6mm ² +1*0.75mm ² Black
标准/Reference standard	IEC 62196-2:2016
符合RoHS环保要求/Conform to RoHS	Yes

DEGSON		MATERIAL:	SURFACE/COLOR:
APPD: Ye DB	2024.19.12	MAT NO/REV: D0-1	MAT STATUS:
CHKD: Dong RT	2024.09.12	NAME MEAC-S-032A-V1-03-5.0M-30A(H)	
DRFT: Hu MY	2024.09.12	DRAWING NO.	TYPE CUSTOMER DRAWING
A4		DRAWING STATUS	SCALE 1:3
			SHEET 1/1

REV	ECN	DESCRIPTION	DRFT	DATE

Transfer or duplication of this document as well as the application or common practice of its contents are prohibited unless authorized in writing. All rights reserved for patent, copyright, trademark, or other intellectual property rights. 复制或翻印本文件内容、未经许可擅自应用其内容、侵犯专利权、商标权或其他知识产权的行为均被禁止。