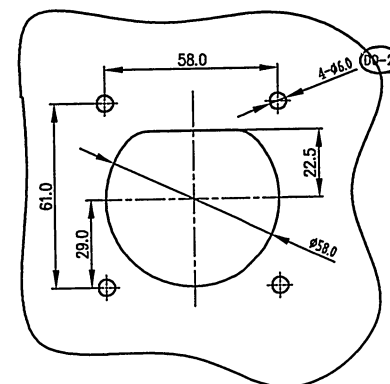
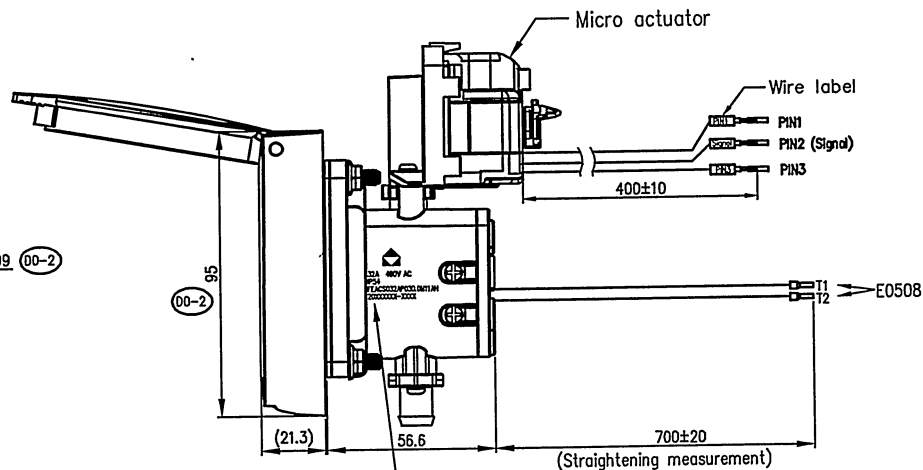
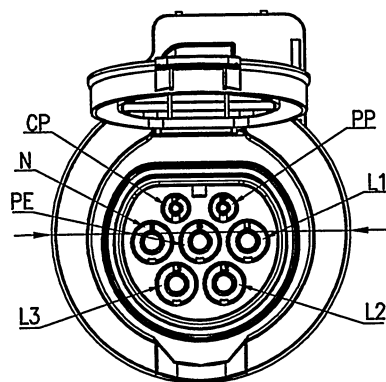
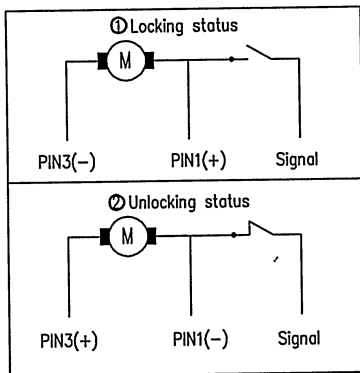


REVISION RECORD

REV	ECN	DESCRIPTION	DRFT	DATE
00-2		Drawings to upgrade	LLL	2019.10.08

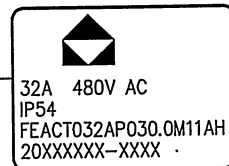


Micro actuator diagram



Micro actuator parameters:
 Rated Voltage: DC 12V
 Operating Voltage : 9-15.5 V
 Current consumption: <2.4A
 Reactive Time: 40ms < t < 200ms
 ① PIN 1 +, PIN3 -: The switch will be disconnected in Locking status
 ② PIN 1 -, PIN3 +: The switch will be connected in unlocking status
 PIN 2: signal
 H -Bridge is necessary for polarity change

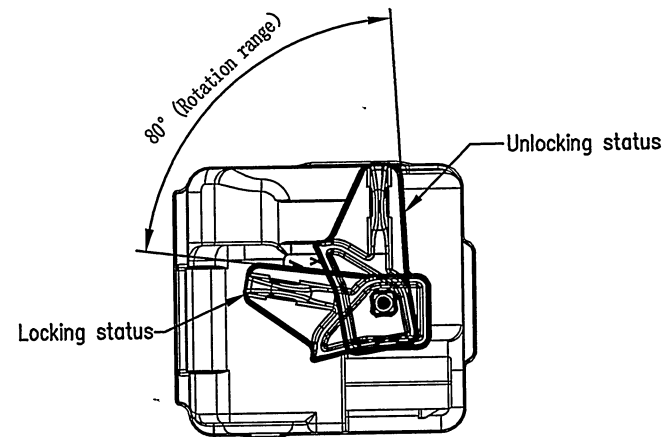
Laser Printing:



Connection Mode:

L1	(6mm ²)	L1
L2	(6mm ²)	L2
L3	(6mm ²)	L3
N	(6mm ²)	N
PE	(6mm ²)	PE
PP	(0.75mm ²)	PP
CP	(0.75mm ²)	CP
NTC	White	T1
	White	T2
	Green	PIN1
Micro Actuator	Blue	PIN2 (Signal)
	Red	PIN3

Attention:
 The Thermistor is placed beside of L1
 The Thermistor is NTC
 (Specification :T= 25°C Resistance = 10±1% Kohm)
 The resistance decreases with increasing temperature



Technical data	
Rated voltage	480V AC
Rated current	32A
Temperature range	-30°C~+50°C
Insulate resistance	>5MΩ,500V DC 1min
Withstanding Voltage	L, N and PE 2500V AC 1min L and N >2500V AC 1min
Ingress protection rating	IP54
Mechanical Working Life (Mating Cycles)	10,000 Times
Standartd	IEC 62196-2:2016
Flame Class	UL 94V-0

Size Measure Range	.XX	.X
≤6	±0.05	±0.10
6~30	±0.10	±0.20
30~120	±0.15	±0.30
120~400	±0.20	±0.50
400~1000	±0.30	±0.80
1000~2000	±0.50	±1.20
Angle Measure Range	.XX	.X
	±0.5°	±1.0°

PART NO.:	NINGBO DEGSON ELECTRICAL CO., LTD		
NAME:	Socket-Outlet (32A AC three-phase) FEAC-T-032A-P-03-0.0M-11AH		
APPD:	ZX	20191010	REV DO-2
CHKD:	DT	2019.10.10	SHEET 1/1
DRFT:	LLL	2019-05-30	SCALE 1:2
THIRD ANGLE PROJECTION		DO NOT SCALE DRAWING	