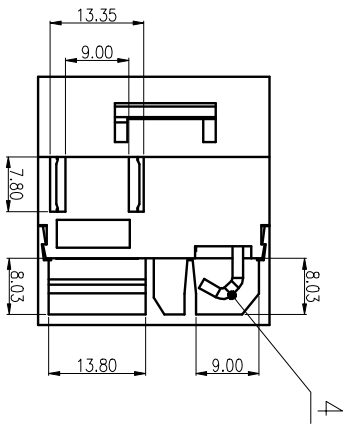
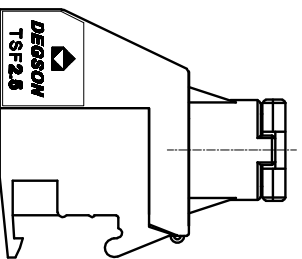
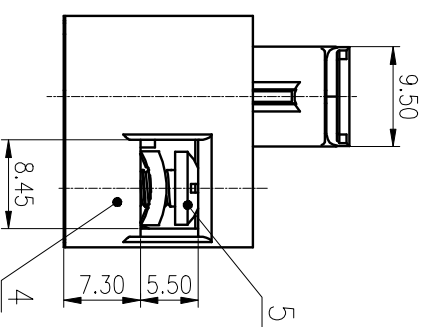
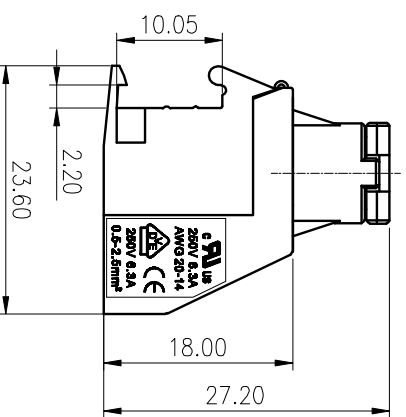
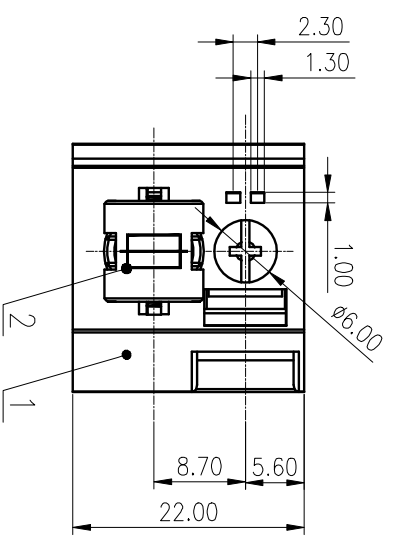


公差等级/General	tolerances(mm)	0	>3	>6	>10	>18	>30	>50	>80	>120	>180	>250	>315	>400	>500	0.1/10
~	~	~	~	~	~	~	~	~	~	~	~	~	~	~	~	±Z
±0.12	±0.18	±0.22	±0.26	±0.31	±0.37	±0.57	±0.80	±0.93	±1.05	±1.15	±1.60	±2.20	±2.50			



ITEM	NAME OF PART	MATERIAL	NOTES
5	Screw	Steel	M3.5/Zn Plated
4	Pin	Copper	Sn Plated
3	Clamp	Copper	M3.5/Sn Plated
2	Fuse box	PA66	UL94V-0
1	Housing	PA66	UL94V-0

UL 标准/UL Standard:	B	C	D
额定电压/电涌/Rated Voltage(V)/Current(A)	250/6.3	250/6.3	250/7.0
IEC 标准/IEC Standard:			
过压类别/Overvoltage Category/污秽等级/Pollution Degree	III/2		
额定电压/电涌/Rated Voltage(V)/Current(A)	250/6.3		
工频耐压/Withstanding voltage	AC2000V/1min		
螺栓扭矩/Torque Tightening(N·m/Lb.in)	M3.5: 0.8/7.08		
线径范围(硬线和软线)/Wire Range(rigid and flexible)(mm²/AWG)	0.5~2.5/20~14		
剥线长度/Stripping length(mm)	9~11		
使用温度范围/Operating Temperature(°C)	-40~+105		
符合RoHS环保要求/Conform to RoHS	Yes		
标准颜色编号/Standard color number:	RAL 2000		

MATERIAL: / SURFACE: /

MAT NO.: /
 STATUS: /
 APPD: /

NAME: **DEGSON® NINGBO DEGSON ELECTRICAL CO., LTD**

TSF2.5-01P-15-01A(H)

DRAWING NO.: TSF2.5-C01
 TYPE: CUSTOMER DRAWING
 SCALE: 1.5:1 SHEET 1/1

REV	ECN	DESCRIPTION	DRAFT	DATE

REV	ECN	DESCRIPTION	DRAFT	DATE

REV	ECN	DESCRIPTION	DRAFT	DATE