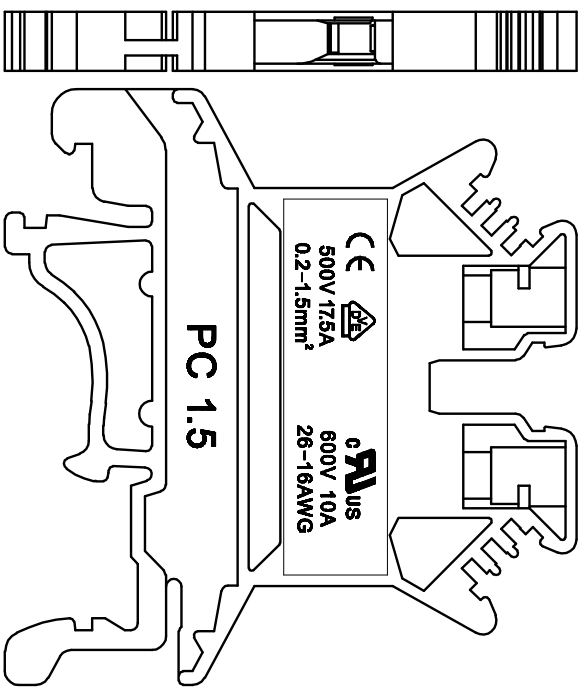
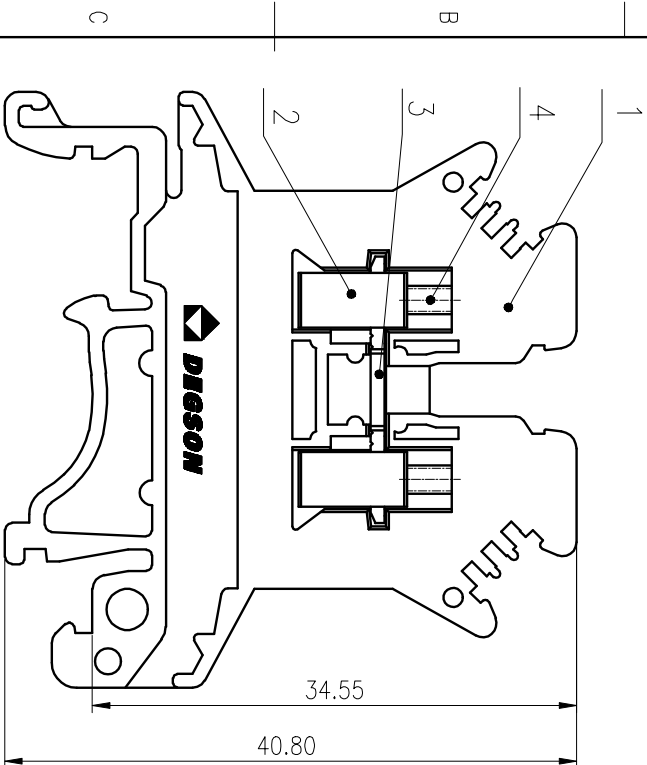
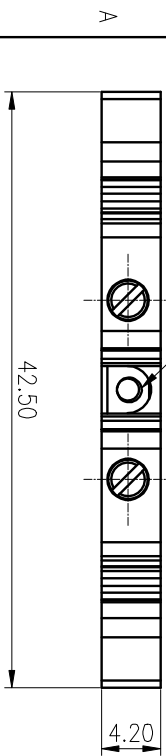


公差等级/General	tolerance/(mm)	0	>3	>6	>10	>18	>30	>50	>80	>120	>180	>250	>315	>400	>500	0.1/1/10
~	~	~	~	~	~	~	~	~	~	~	~	~	~	~	~	±Z
±0.12	±0.18	±0.22	±0.26	±0.31	±0.37	±0.57	±0.80	±0.93	±1.05	±1.15	±1.60	±2.20	±2.50			



ITEM	NAME OF PART	MATERIAL	NOTES
4	Screw	Copper alloy	M2/Ni Plated
3	Current Carrier	Copper	Sn Plated
2	Brass Cage	Copper alloy	M2/Ni Plated
1	Housing	PAG6	UL94V-0

REV	ECN	DESCRIPTION	DRAFT	DATE
1				
2				
3				

MATERIAL:	SURFACE:
MAT NO.: /	
STATUS: /	
APPD: Li GL 2020.04.03	NAME: DEGSON® NINGBO DEGSON ELECTRICAL CO., LTD
CHKD: Mao J 2020.04.03	PC1.5-01P-1Y-00A(H)
DRAFT: Zhuwm 2006.05.20	DRAWING NO.: PC 1.5-C01
	TYPE: CUSTOMER DRAWING
	SCALE: 2:1
	REV T0
	1/1

UL 标准/UL Standard:	B	C	D
额定电压/电涌/Rated Voltage(V)/Current(A)	300/10	300/10	600/10
IEC 标准/IEC Standard:			
过压类别/Overvoltage Category/特等	III/3	/	/
额定电压/电涌/Rated Voltage(V)/Current(A)	500/17.5	/	/
额定脉冲电压 (KV)/Rate Impulse Voltage(KV)	6.0	/	/
拧紧扭矩 (Nm/Lbin)/Wire Tightening(N·m/Lbin)	M2, 0.2/1.73		
线径范围 (硬线和软线)/Wire Range(rigid and flexible)(mm²/AWG)	0.2~1.5/ 26-16(St)&16(So)		
同层/Pitch(mm)	4.2		
剥线长度/Stripping length(mm)	6-7		
使用温度范围/Operating temperature(°C)	-40~+105		
符合RoHS环保要求/Conform to RoHS	Yes		
标准颜色编号/Standard color number:			
PANTONE / RAL	/		