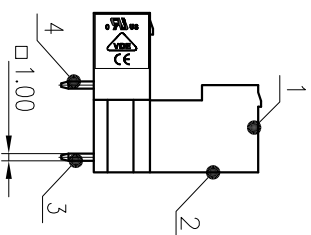
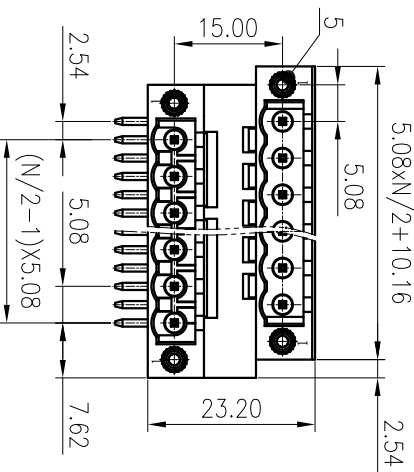
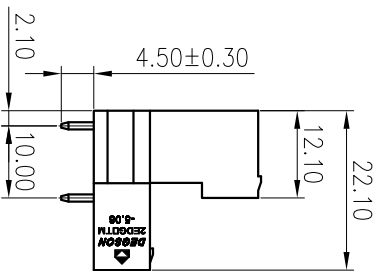
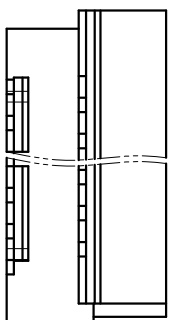
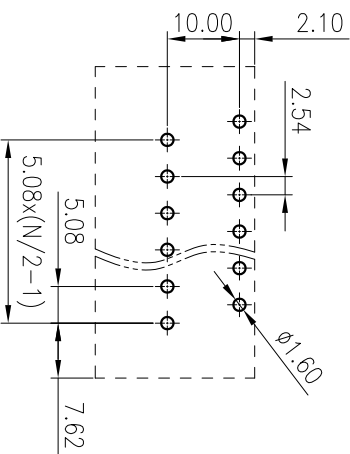


未注公差/General tolerances(mm)		0	>3	>6	>10	>18	>30	>50	>80	>120	>180	>250	>315	>400	>500	0.1/10
~	~	3	6	10	18	30	50	80	120	180	250	315	400	500	>500	0.1/10
+0.12	+0.18	+0.22	+0.26	+0.31	+0.37	+0.57	+0.80	+0.93	+1.05	+1.15	+1.60	+2.20	+2.50		±2	



ITEM	NAME OF PART	MATERIAL	NOTES
1	Housing	PA66	UL94V-0
2	Cover	PA66	UL94V-0
3	Pin1	Copper	Sn Plated
4	Pin2	Copper	Sn Plated
5	Nut	Copper alloy	

PCB LAYOUT



REV	ECN	DESCRIPTION	DRFT	DATE
<p>MATERIAL: /</p> <p>MAT NO.: /</p> <p>STATUS: /</p> <p>APPD: LonCHH 2020.06.01</p> <p>CHKD: GongYzh 2020.06.01</p> <p>DRFT: ZhYP 2020.06.01</p>				
<p>NAME: DEGSON 宁波高松电子有限公司</p> <p>NINGBO DEGSON ELECTRICAL CO., LTD</p> <p>2EDGRTM-5.08-XXP-1Y-00A(H)</p>				
<p>DRAWING NO.: 2EDGRTM-5.08-C01</p> <p>TYPE: CUSTOMER DRAWING</p> <p>SCALE: 1:1</p>				
			REV	T1
			SHEET	1/1

UL 标准/UL Standard:	B	C	D
额定电压/Rated Voltage(V)/Current(A)	300/15	/	300/10
VDE 标准 VDE Standard:			
过压类别/Overvoltage Category/污染等级	III/3	III/2	II/2
额定电压/电流/Rated Voltage(V)/Current(A)	/	320/20	/
额定脉冲电压(KV)/Rate Impulse Voltage(KV)	/	4.0	/
间距/Pitch(mm)	5.08		
整体式/One-block/拼插式/Inter locking	N=04~24P/N=24~48P		
使用温度范围/Operating temperature(°C)	-40~+105		
符合RoHS环保要求/Conform to RoHS	Yes		

SURFACE: /